

GPS-AG50 Datasheet



The Life Racing GPS-AG50 is a compact low mass unit capable of tracking vehicle speed by GPS position at 50Hz. The unit features a built-in 6-axis motion pack for measuring lateral, longitudinal and vertical acceleration as well as roll, pitch and yaw rates. The module connects to any device via the CAN network.

GPS:

- Up to 50Hz update rate
- SBAS (WAAS/EGNOS) correction
- Accurate to within 2.5m
- Stores local satellite information for under 3s “hot start”

Motion Sense:

- 3-axis accelerometer up to $\pm 16G$
- 3-axis gyroscope up to $\pm 1000\text{deg/s}$
- High frequency internal sampling and filtering
- Software programmable filter cut off frequencies (5-50Hz)
- 100Hz CAN transmission rate

Interfaces:

- CAN 2.0B
- Configurable frame identifiers

Power Supply:

- 6V to 28V DC

Physical:

- 6way Deutsch Autosport connector
- CNC machined, black anodized aluminium case
- 50x50x20mm (58x50x20mm including connectors)
- Operating temperature -25 to +85°C
- Sealed to IP67
- Total Mass 65 grams

Ordering Information:

Description	Part number
GPS-AG50	ANC-B02
GPS-AG50-AV	ANC-B05
GPS-AG50 Connector Kit	CON-A08
Aerial (included with any new GPS)	ANC-B03

Wiring Information:

V1

Pin	Gauge	Signal Name	Signal Notes
1	24AWG	BATTERY SUPPLY	
2	24AWG	CAN HI	CAN communication port
3	24AWG	CAN LO	CAN communication port
4	24AWG	POWER GROUND	
5	24AWG	CAN TERMINATION	Link to pin 6 for CAN termination, else DO NOT CONNECT
6	24AWG	CAN TERMINATION	Link to pin 5 for CAN termination, else DO NOT CONNECT

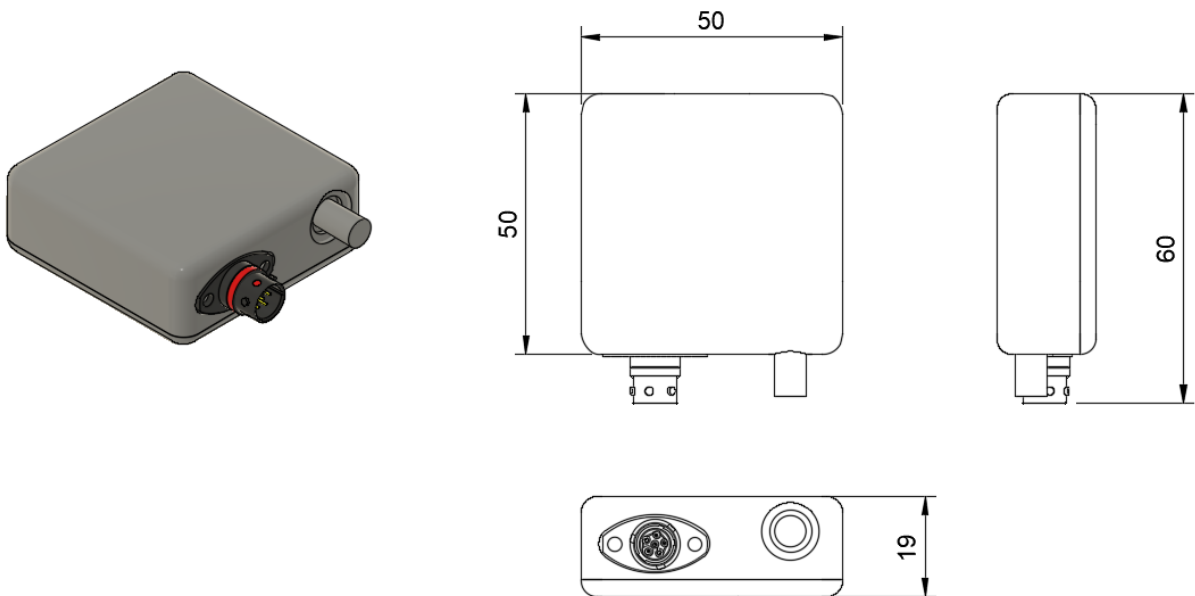
V2

Pin	Gauge	Signal Name	Signal Notes
1	24AWG	BATTERY SUPPLY	
2	24AWG	CAN HI	CAN communication port
3	24AWG	CAN LO	CAN communication port
4	24AWG	POWER GROUND	
5	24AWG	CAN TERMINATION	Link to GROUND for CAN termination, else DO NOT CONNECT
6	24AWG	NC	NOT CONNECTED. LR use only

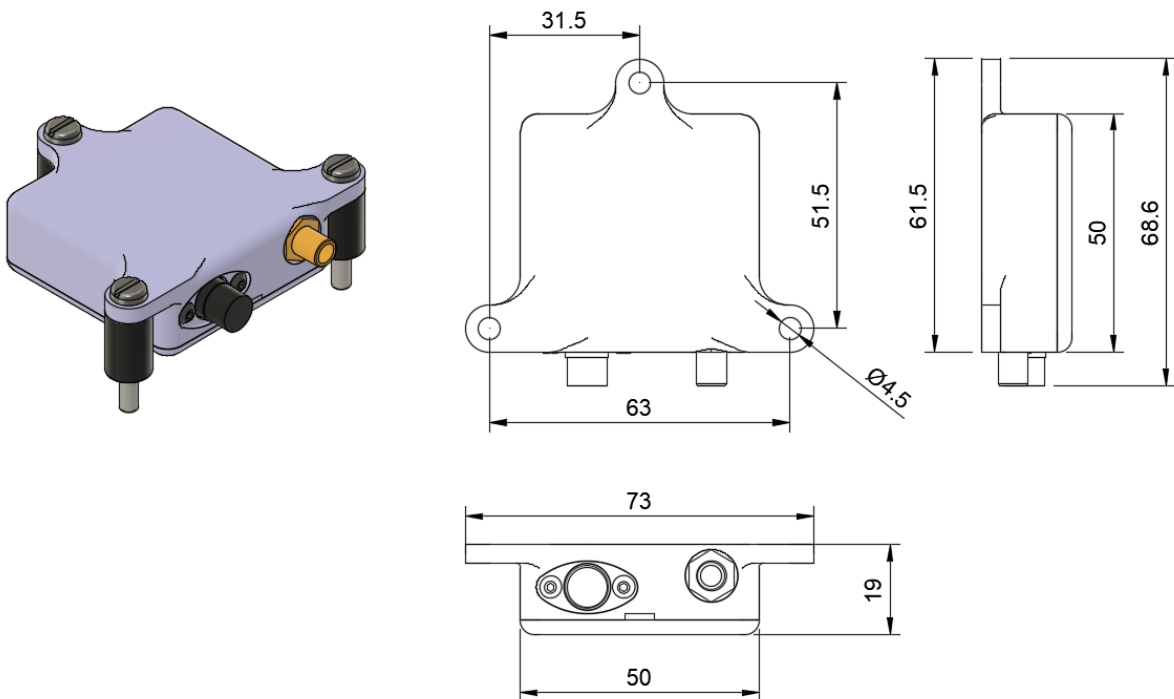
Mating connector: ASX602-06SN-HE

Dimensions:

GPS-AG50



GPS-AG50-AV



Warranty and Servicing:

- This equipment comes with a 1 year warranty against manufacturing defects and failures however misuse or damage will not be covered under warranty.