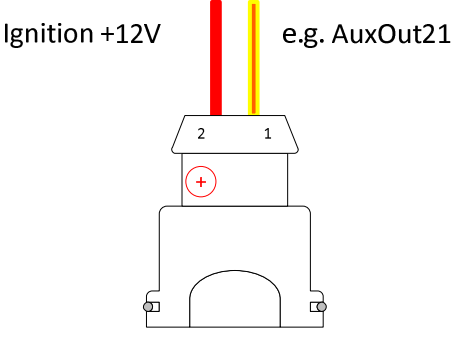
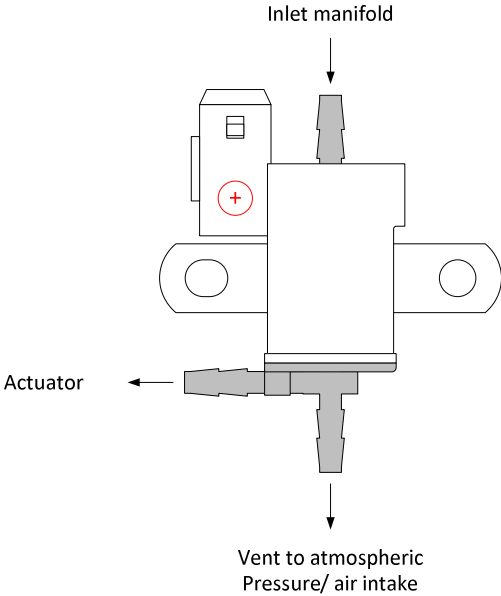


Boost Control Solenoid (2 pin)
(HuCo)



Pin	Function	NOTES
1	PWM signal from ECU (switched ground)	
2	Ignition +12V	