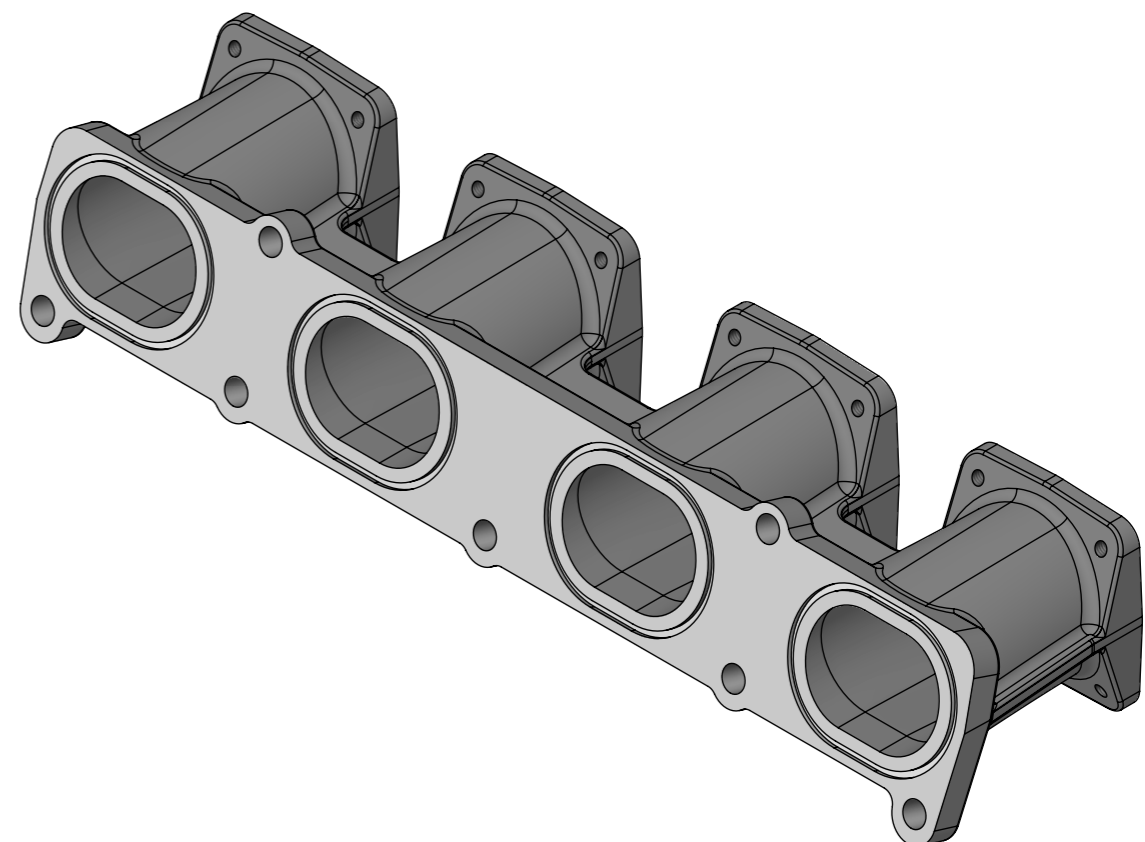
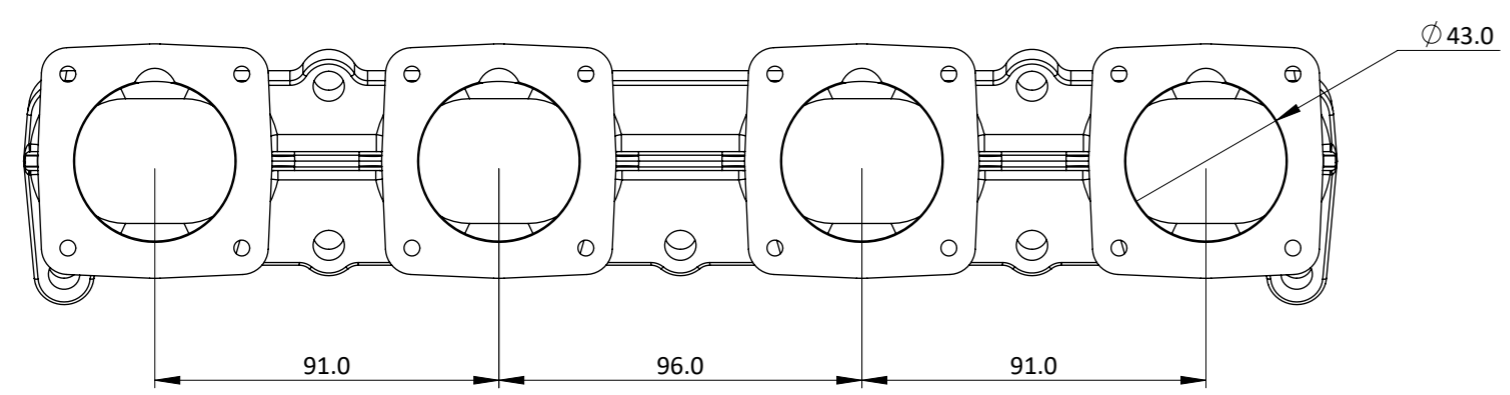
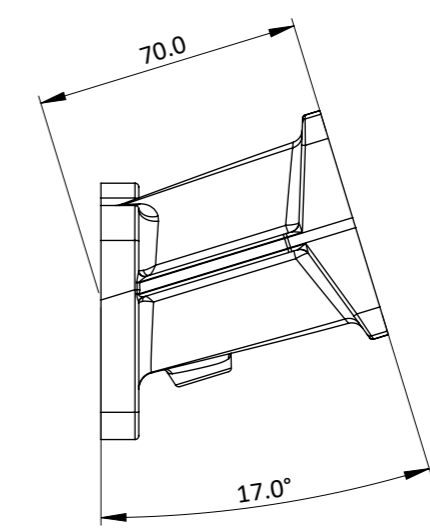
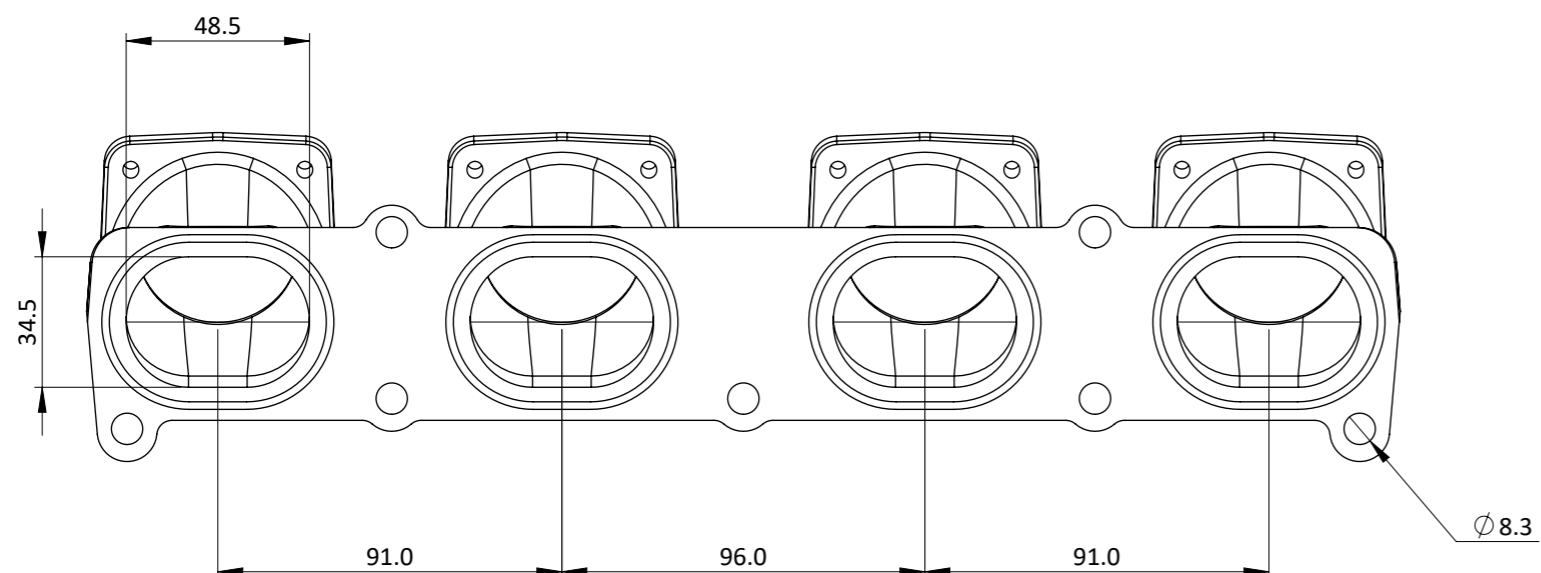


MF08 - FORD DURATEC 2.0 FOR ITB'S FORD DURATEC MANIFOLD



Engineered to win



FLANGES FOR JENVEY SF THROTTLE BODIES.
FOR SRCC HOMOLOGATED VERSION SEE MF09.
UNDRILLED TAPPING BOSSES ON UNDERSIDE OF MANIFOLD FOR BRAKE BOOST, IDLE CONTROL, SENSORS ETC.
SEE MF10 FOR LARGER THROTTLE BODY BORES.

Frame: 1 of 1	
Version: 3	
Tel 01746 768810	© JENVEY DYNAMICS LTD. 2015
Web WWW.JENVEY.CO.UK	