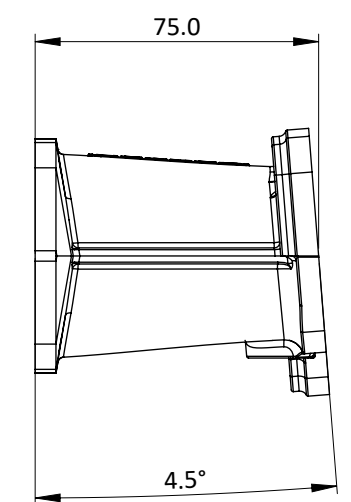
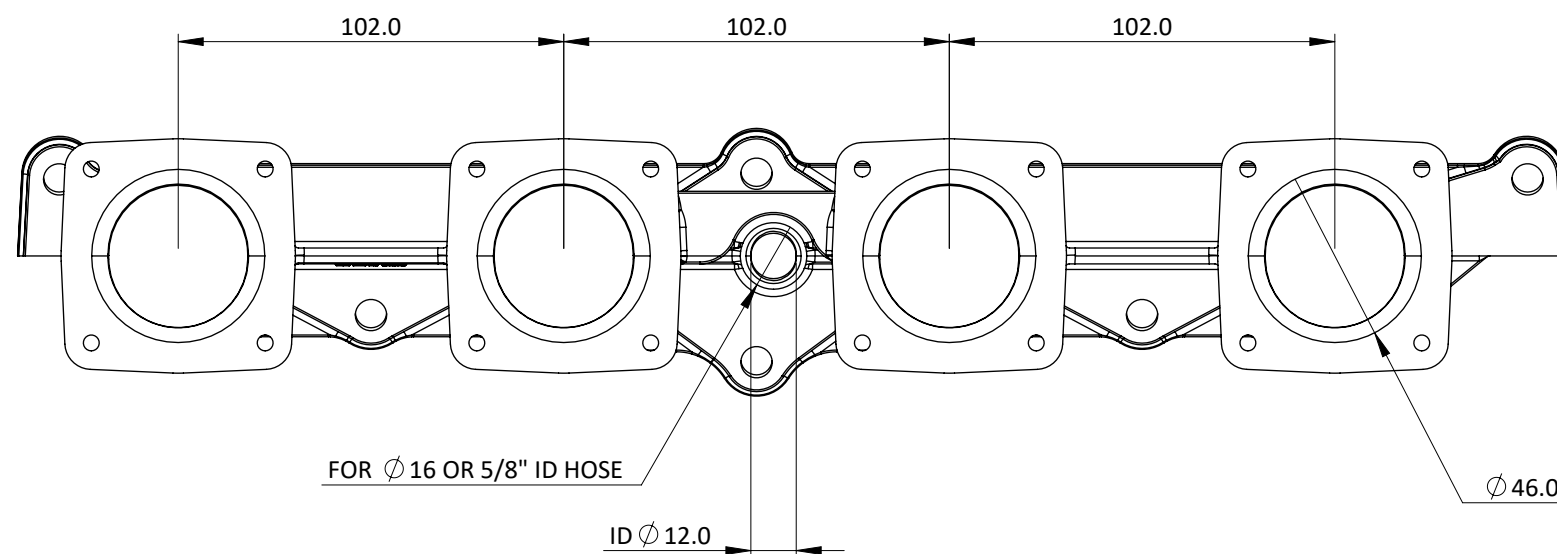
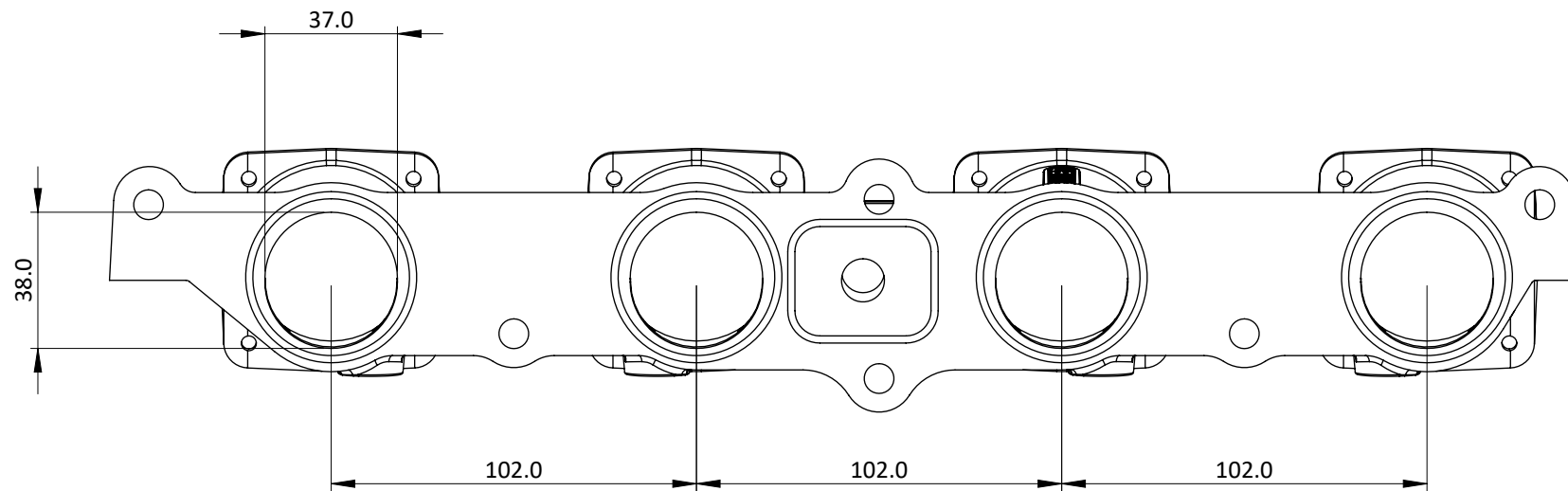
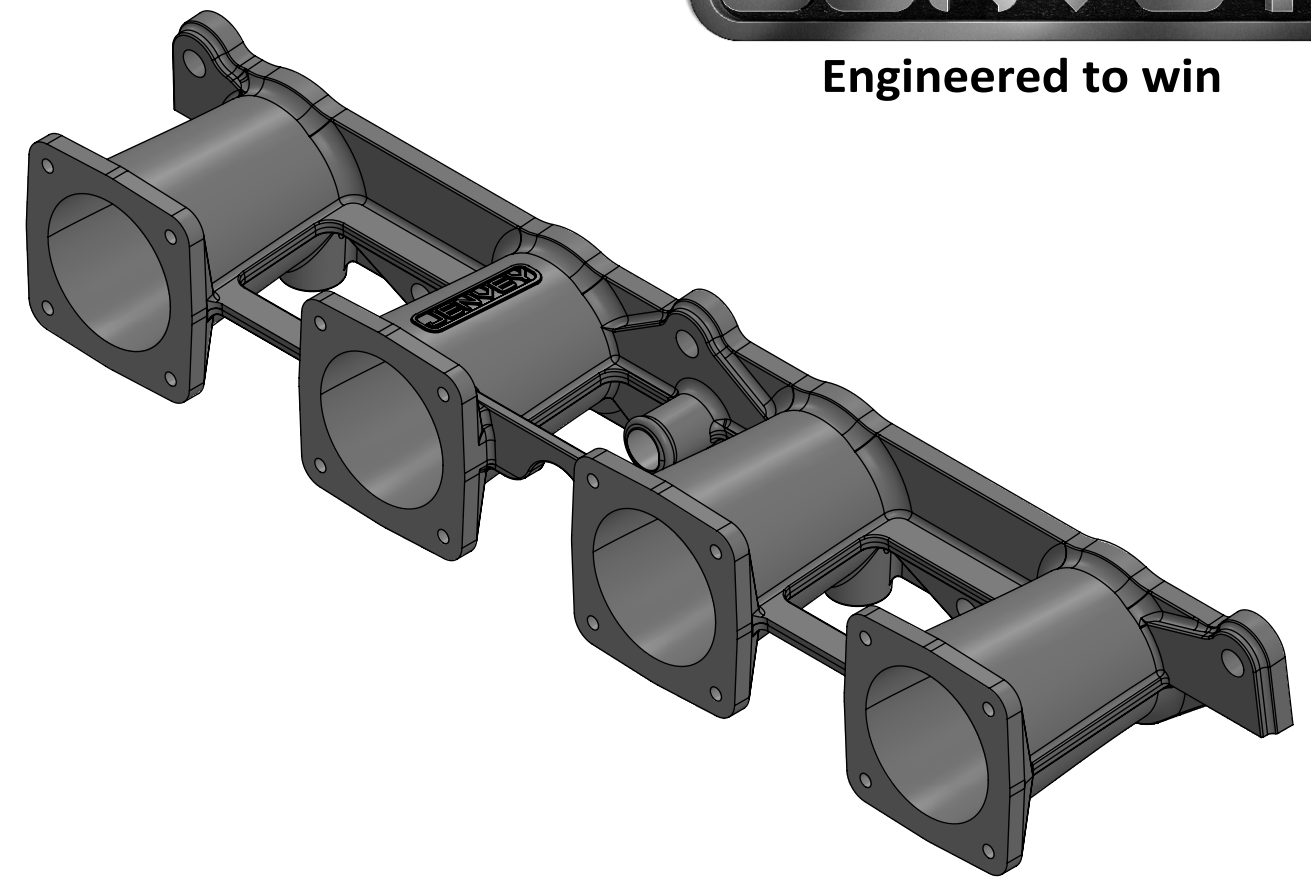


MF23 - PINTO SF MANIFOLD



Engineered to win



FORD PINTO 2.0 MANIFOLD, WITH FLANGES TO SUIT JENVEY SF INDIVIDUAL THROTTLE BODIES.
ADDITIONAL MATERIAL AROUND OUTLET PORT, TO ALLOW FOR MATCHING TO PORTED CYLINDER HEADS
UNDRILLED BOSSES ON UNDERSIDE OF MANIFOLD, FOR IDLE AIR/ VACUUM TAKE-OFFS ETC.

Frame: 1 of 1	
Version: 1	
Tel 01746 768810	© JENVEY DYNAMICS LTD. 2021
Web WWW.JENVEY.CO.UK	