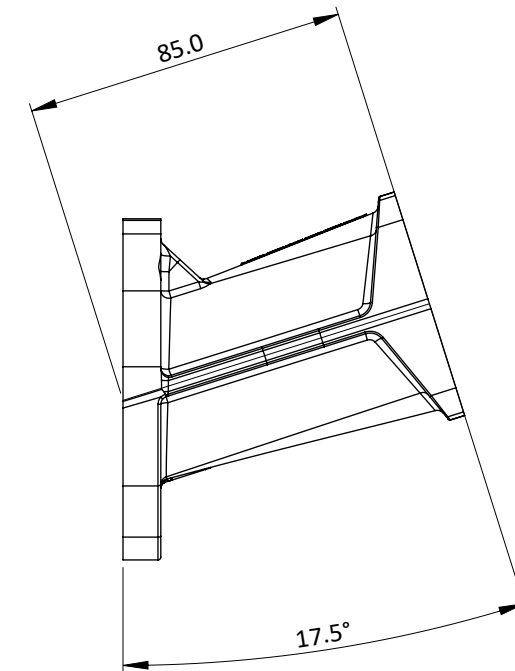
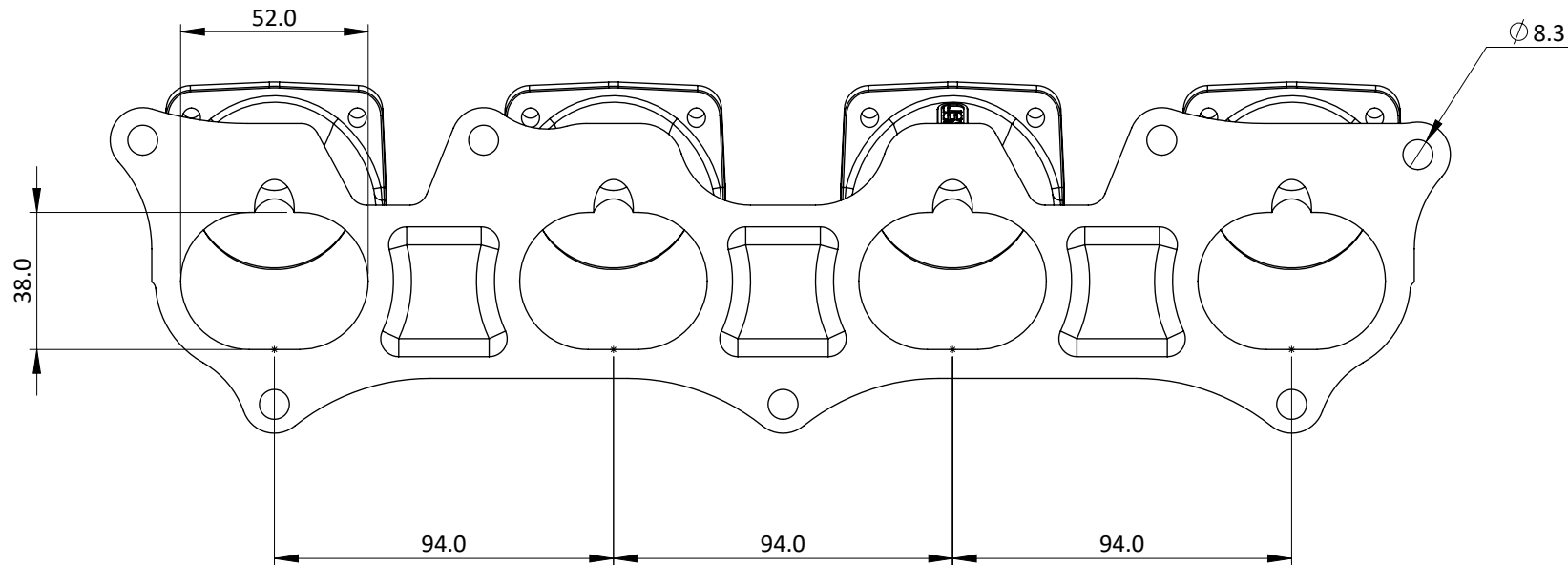
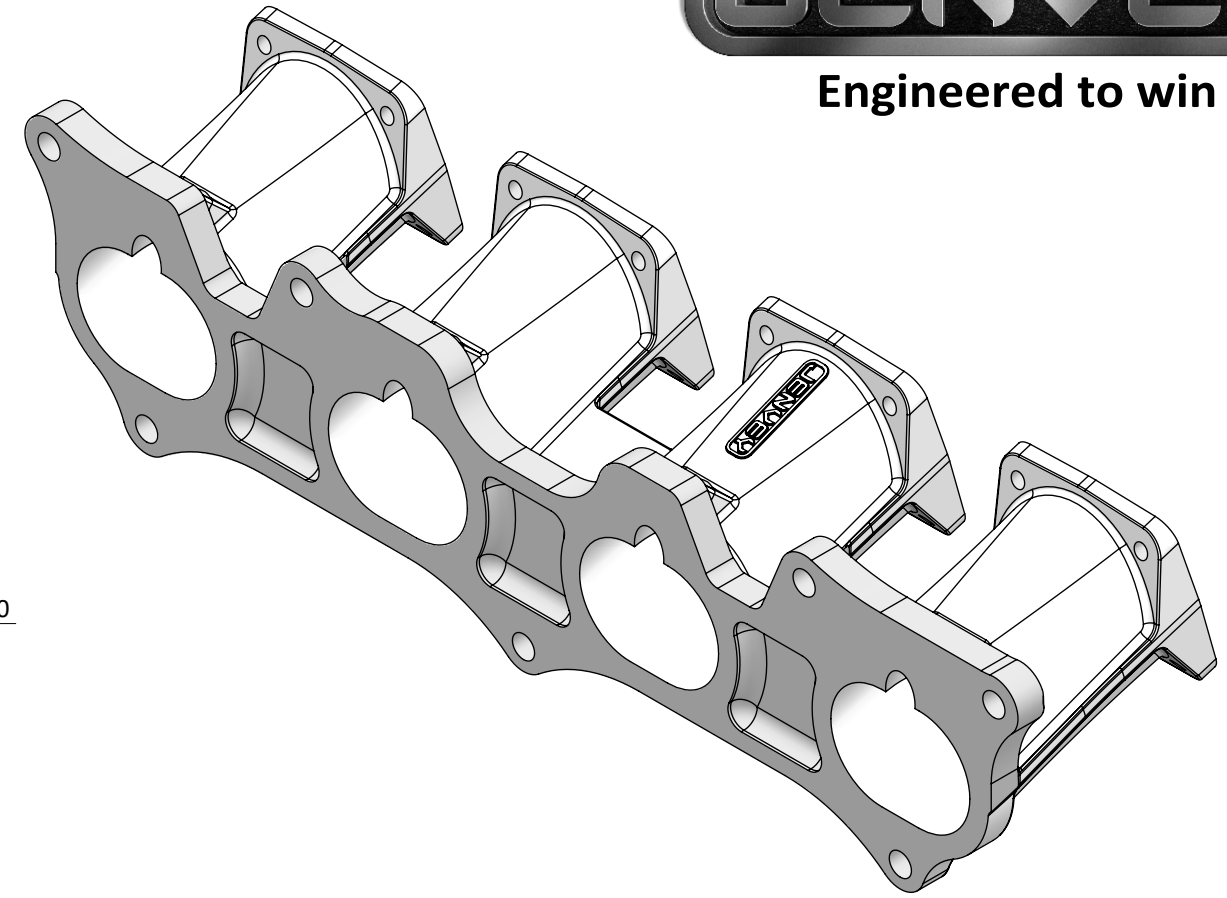
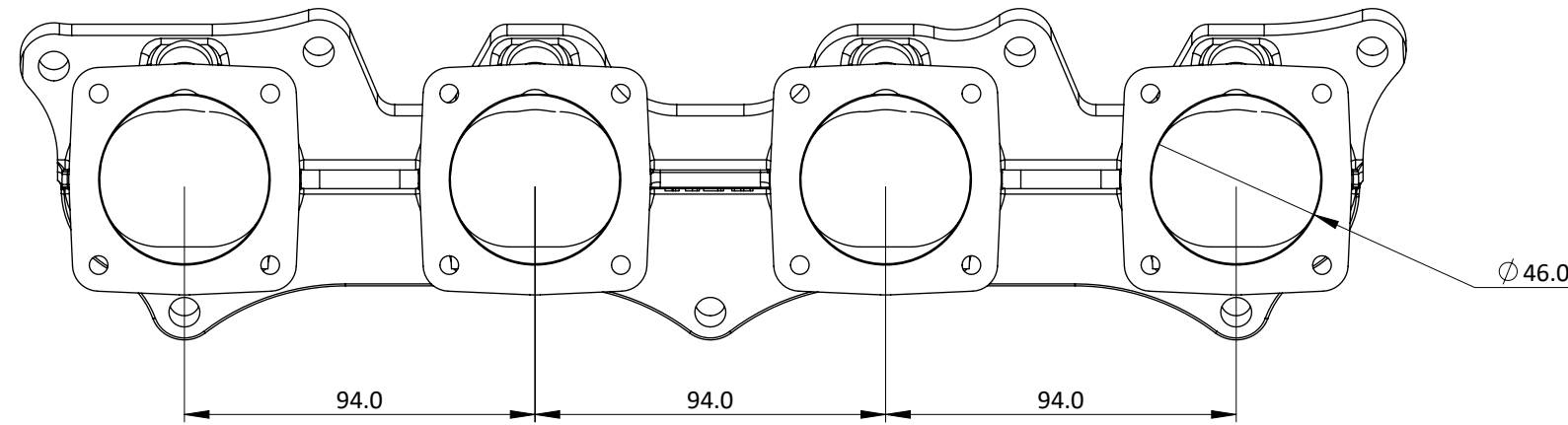


MH07-2 - HONDA K20 ITB MANIFOLD



Engineered to win



MAY BE PORTED OUT TO 52MM AT INLET FLANGE AND PROPORTIONALLY AT HEAD FLANGE.
 INDRILLED BOSSES ON TOP SIDE FOR INJECTOR PORT, VACUUM TAPPINGS ETC.
 UNDRILLED BOSSES UNDERNEATH FOR IDLE AIR, BRAKE TAPPING , SENSORS, ETC.
 NOW 15% LIGHTER WITH LIGHTENED HEAD FLANGE.

Frame: 1 of 1

Version: 4

Tel 01746 768810

© JENVEY DYNAMICS LTD. 2015

Web WWW.JENVEY.CO.UK

