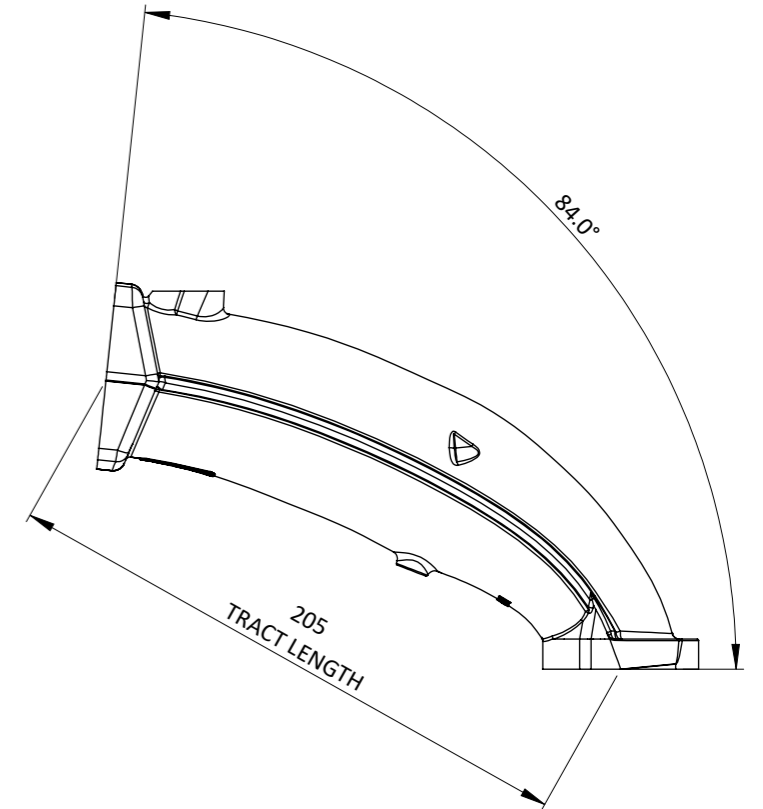
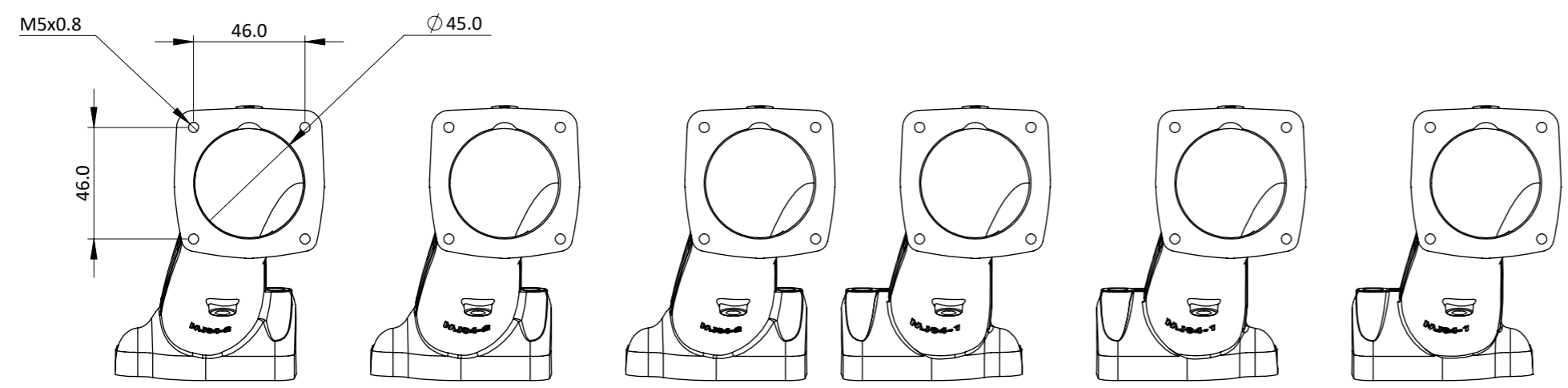
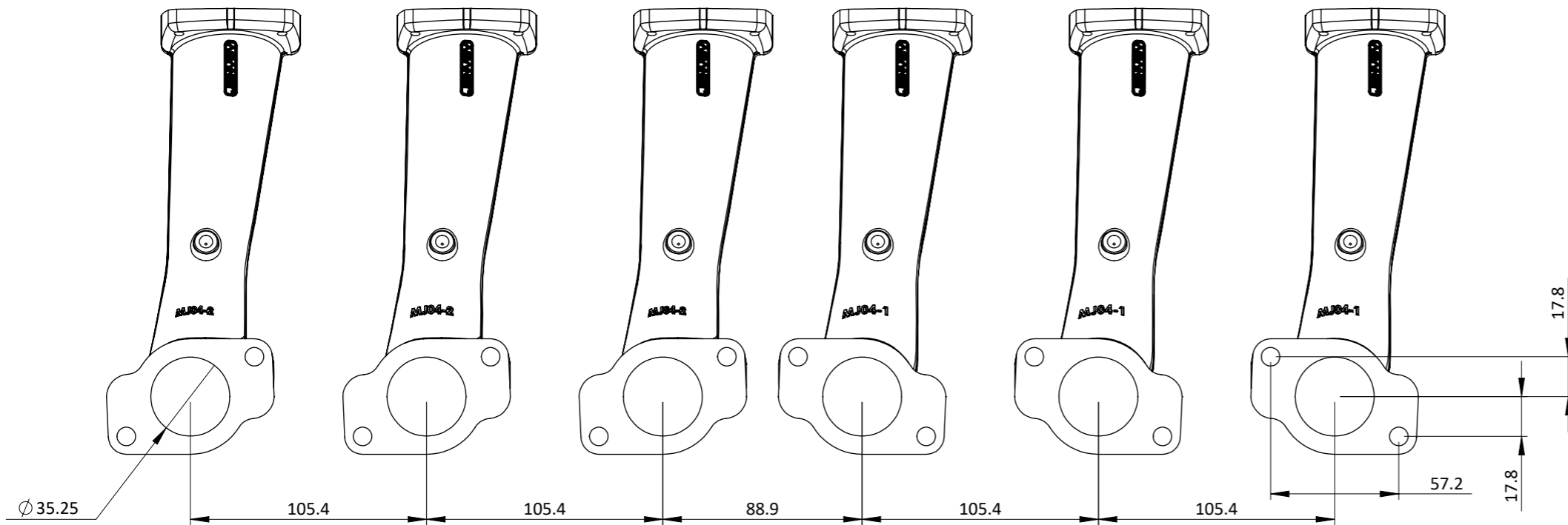


MJ04 - JAGUAR V12 MANIFOLD



Engineered to win



FLANGES FOR JENVEY SINGLE (SF, SFS) THROTTLE BODIES.
 MAY BE PORTED UP TO 48MM WITH SUFFICIENT MATERIAL TO ALLOW FOR MATCHING TO PORTED CYLINDER HEADS.
 UNDRILLED BOSSES ON THE UNDERSIDE OF THE MANIFOLD FOR IDLE AIR/ VACUUM TAKE-OFF ETC.

Frame: 1 of 1	
Version: 2	
Tel 01746 768810	© JENVEY DYNAMICS LTD. 2015
Web WWW.JENVEY.CO.UK	