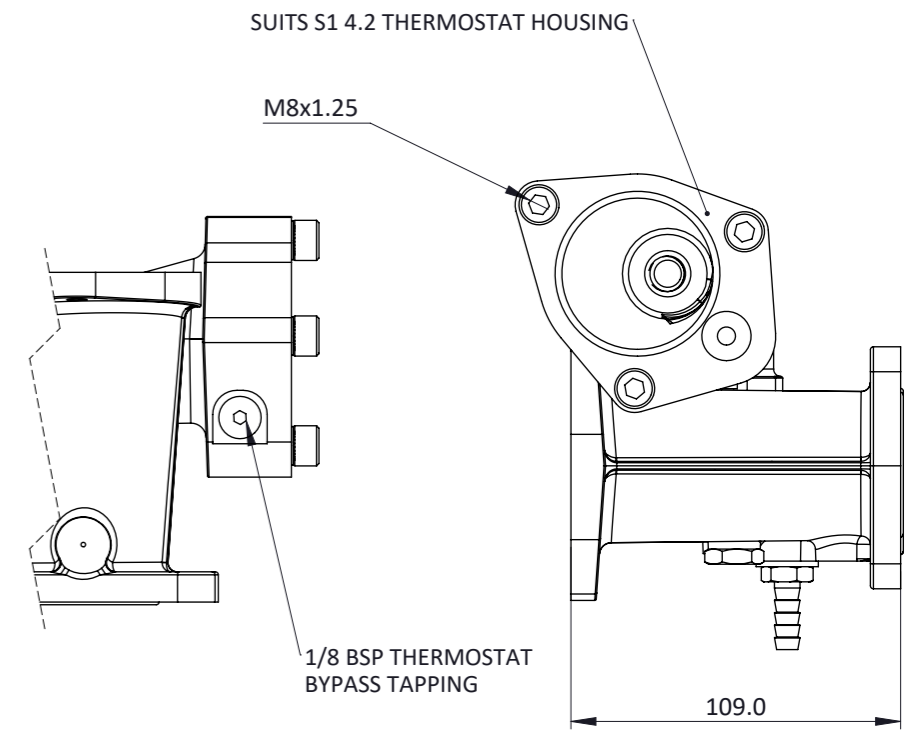
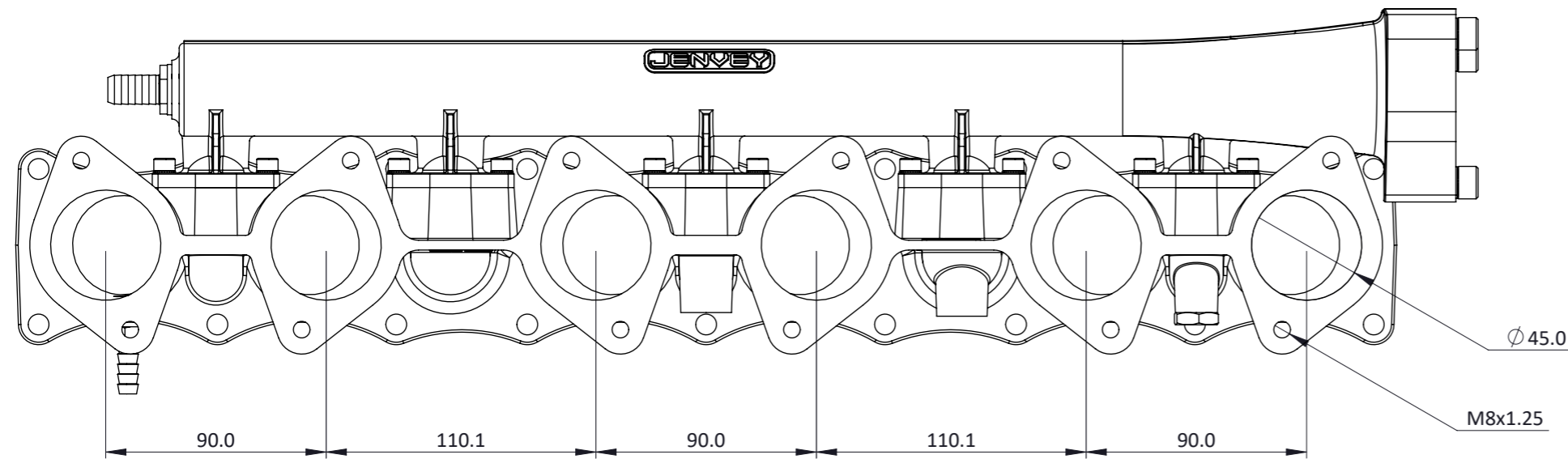
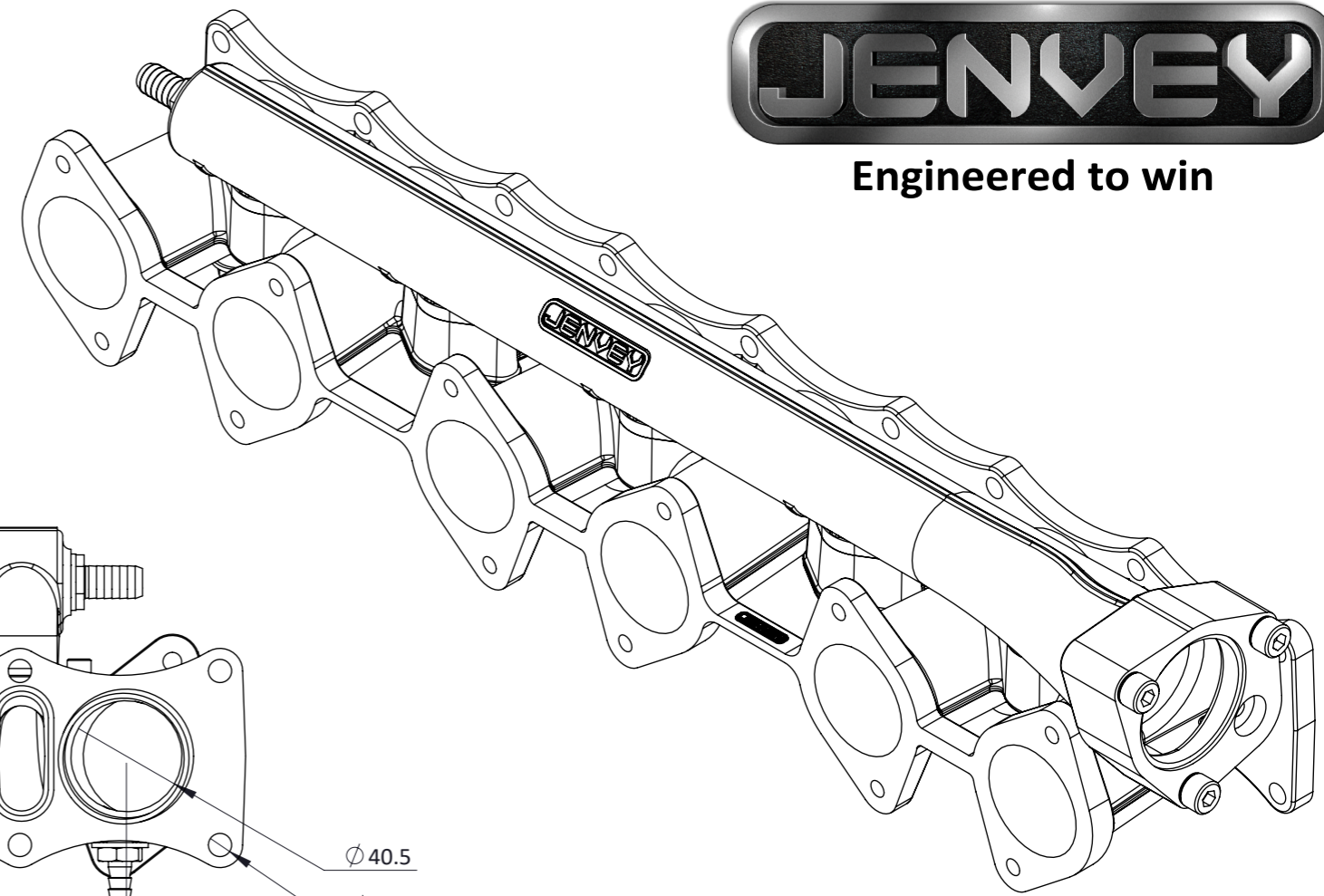
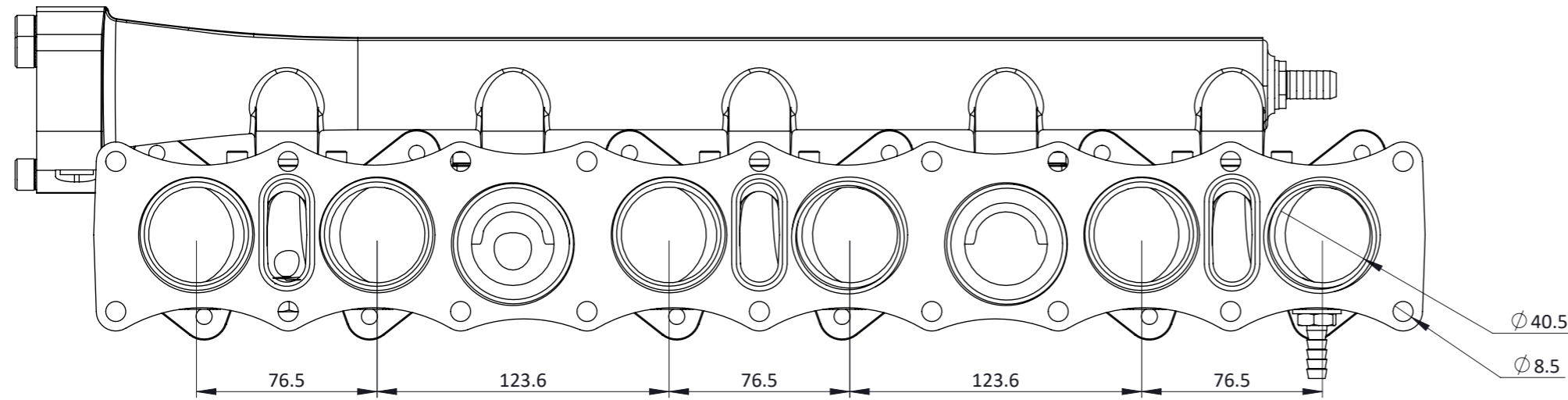


MJ05 - JAGUAR XK6 MANIFOLD AND WATER PIPE



Engineered to win



The Jenvey Jaguar straight 6 manifold has been designed to suit both the E-Type series 1 3.8L & 4.2L engines and the series 2 4.2L engine, and has the inlet flanges to suit Jenvey DCOE Heritage and standard throttle bodies.

The manifold has features on the underside for a ECU water temperature sensor (M12 fitting), dashboard water temperature sender (5/8 UNF) & a spare undrilled water feature boss. Along with a 1/4 BSP brake boost take off and undrilled features on all runners for idle air etc.

The included Water manifold suits the series 1, 3 bolt, 4.2L thermostat housing and thermostat, includes a heater outlet and a 1/8 BSP tapped hole for a thermostat bypass hose .

Frame: 1 of 1	
Version: 1	
Tel 01746 768810	© JENVEY DYNAMICS LTD. 2015
Web WWW.JENVEY.CO.UK	