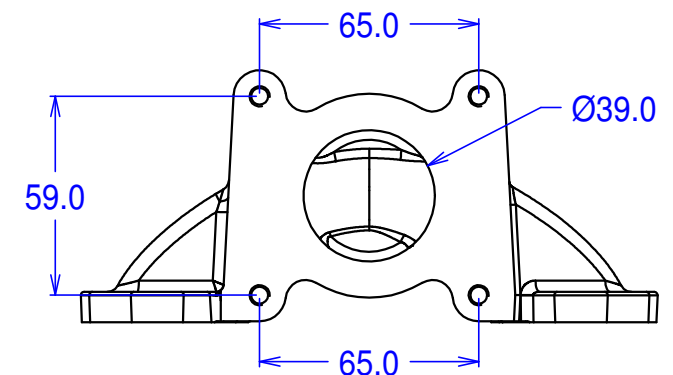
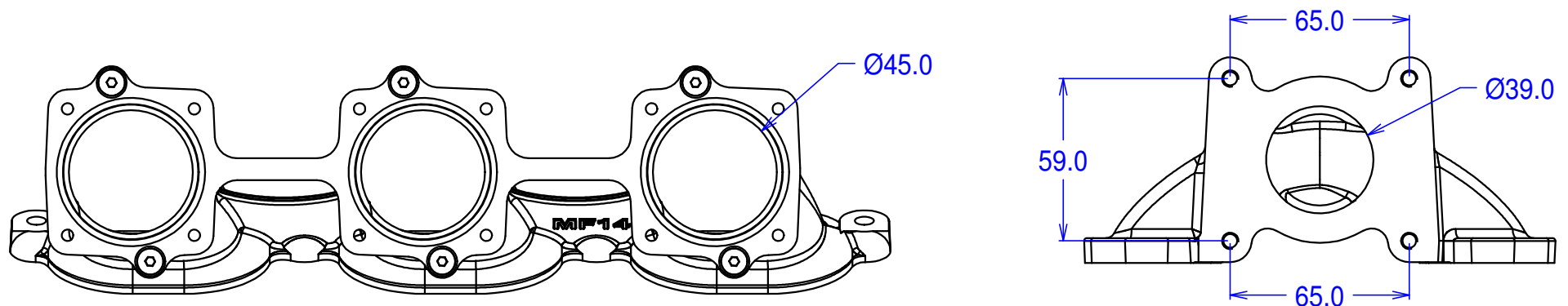
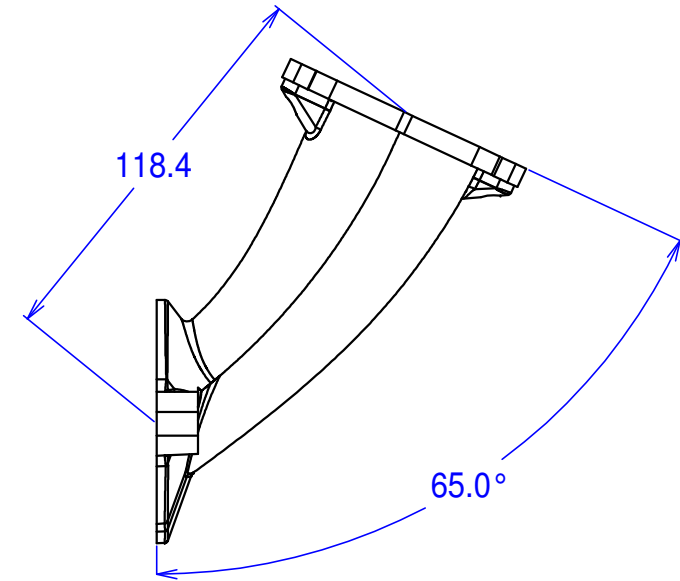
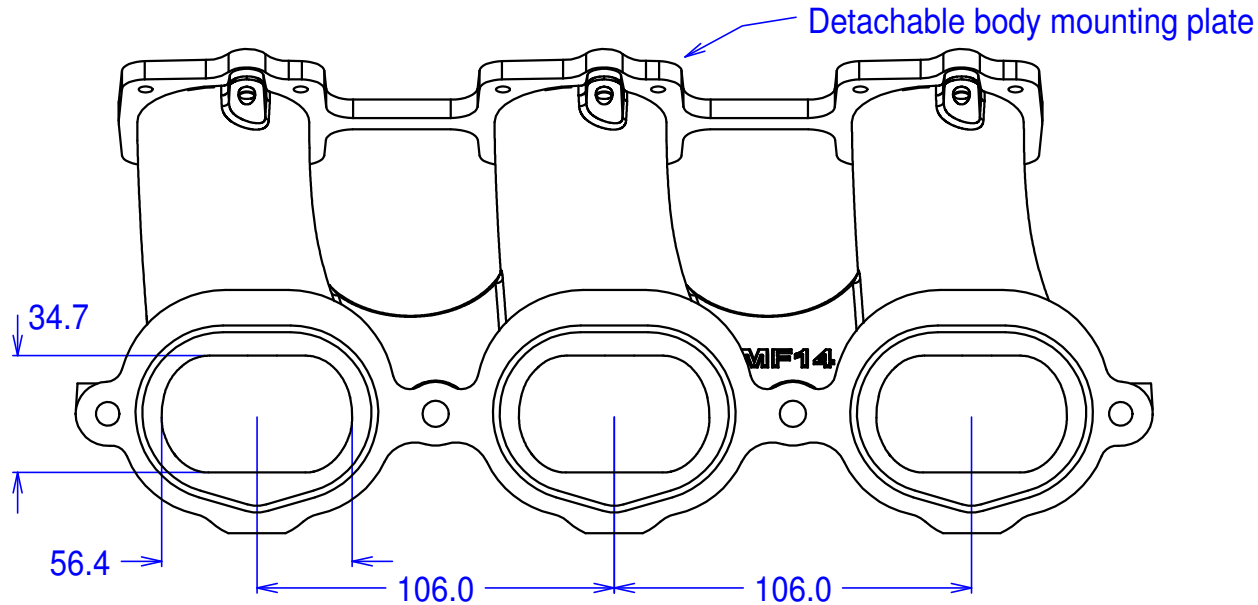


## MF14 - Ford Cyclone V6 manifolds for individual throttle bodies



Coolant manifold

Flanges for Jenvey SF throttle bodies.  
O ring seal to cylinder head.  
Supplied as matched pair which intertwine for cross-over induction.  
Comes with coolant manifold and all necessary O rings and assembly bolts.  
Bosses on top side for vacuum tapings.