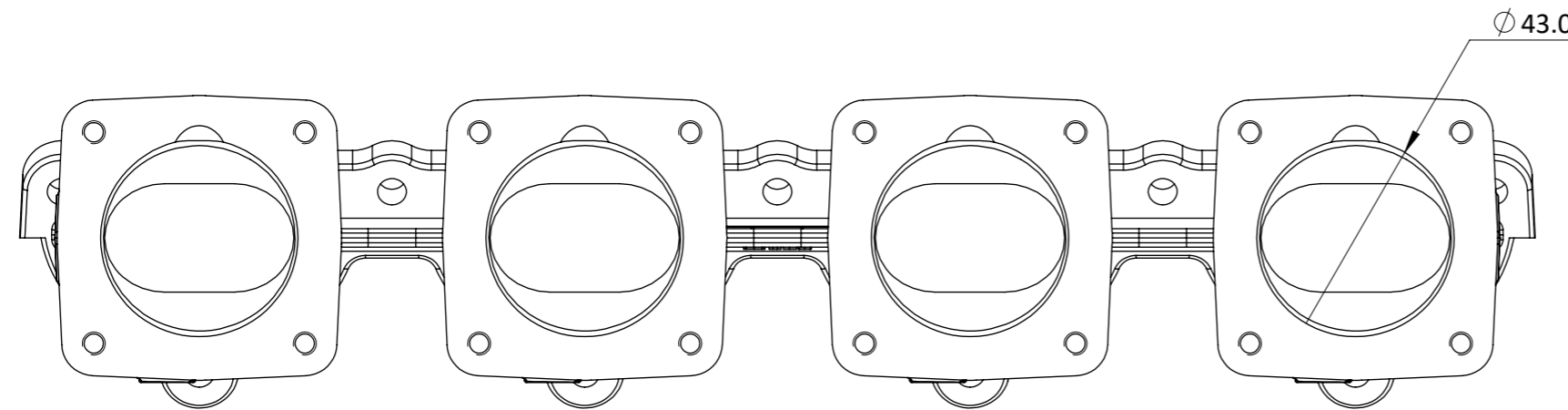
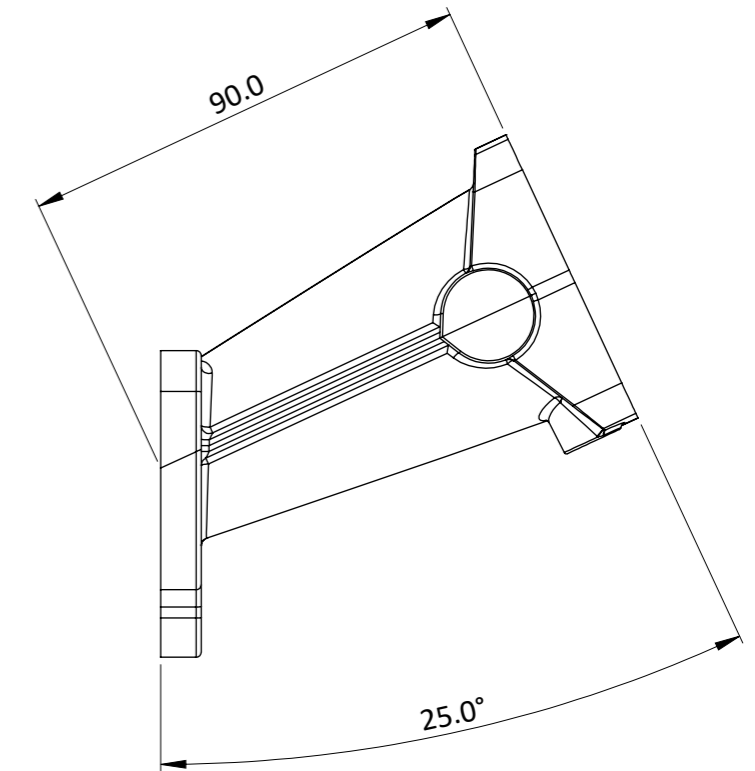
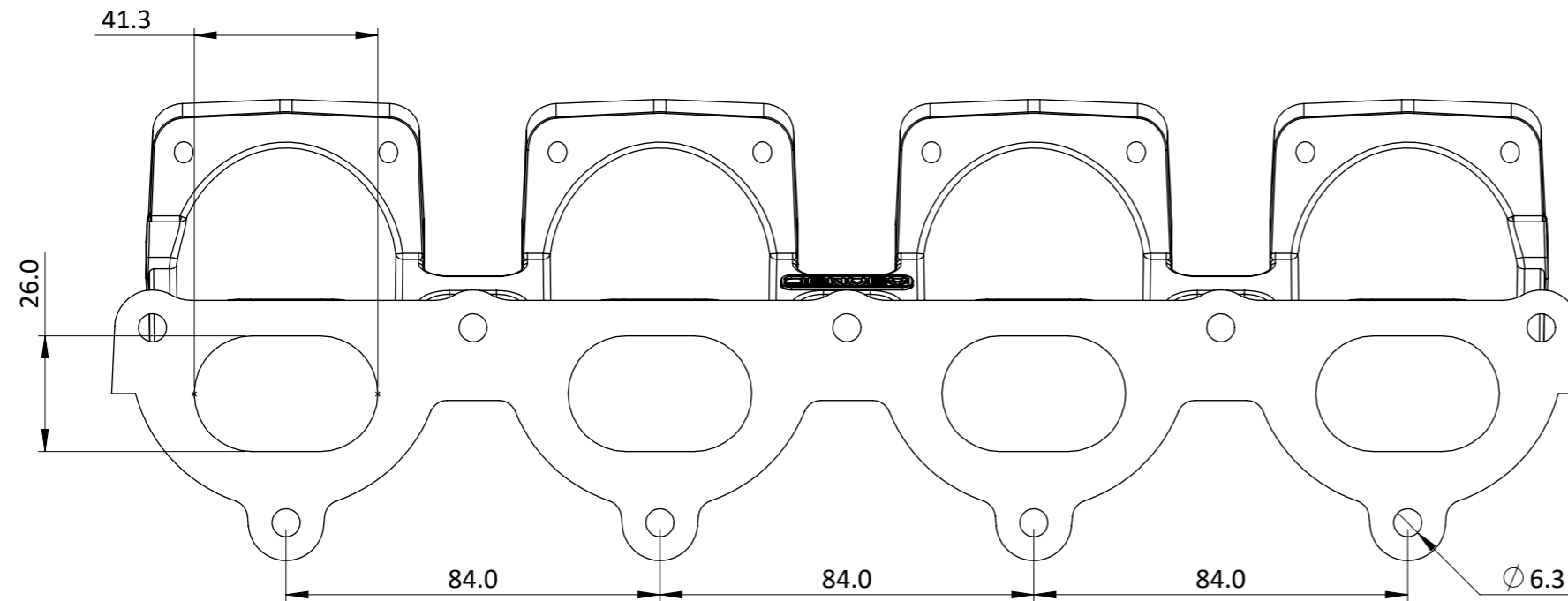


MP03 - Peugeot / Citroen TU5 1.6L 16V manifold for individual throttle bodies



Engineered to win



For Jenvey ST throttle bodies or SF with spindle mods.
May be ported out to 45mm at body flange and proportionally at head flange.
2 bosses at ends and 4 on underside for vacuum tappings.

Frame: 1 of 1

Version: 4

Tel 01746 768810

© JENVEY DYNAMICS LTD. 2015

Web WWW.JENVEY.CO.UK

