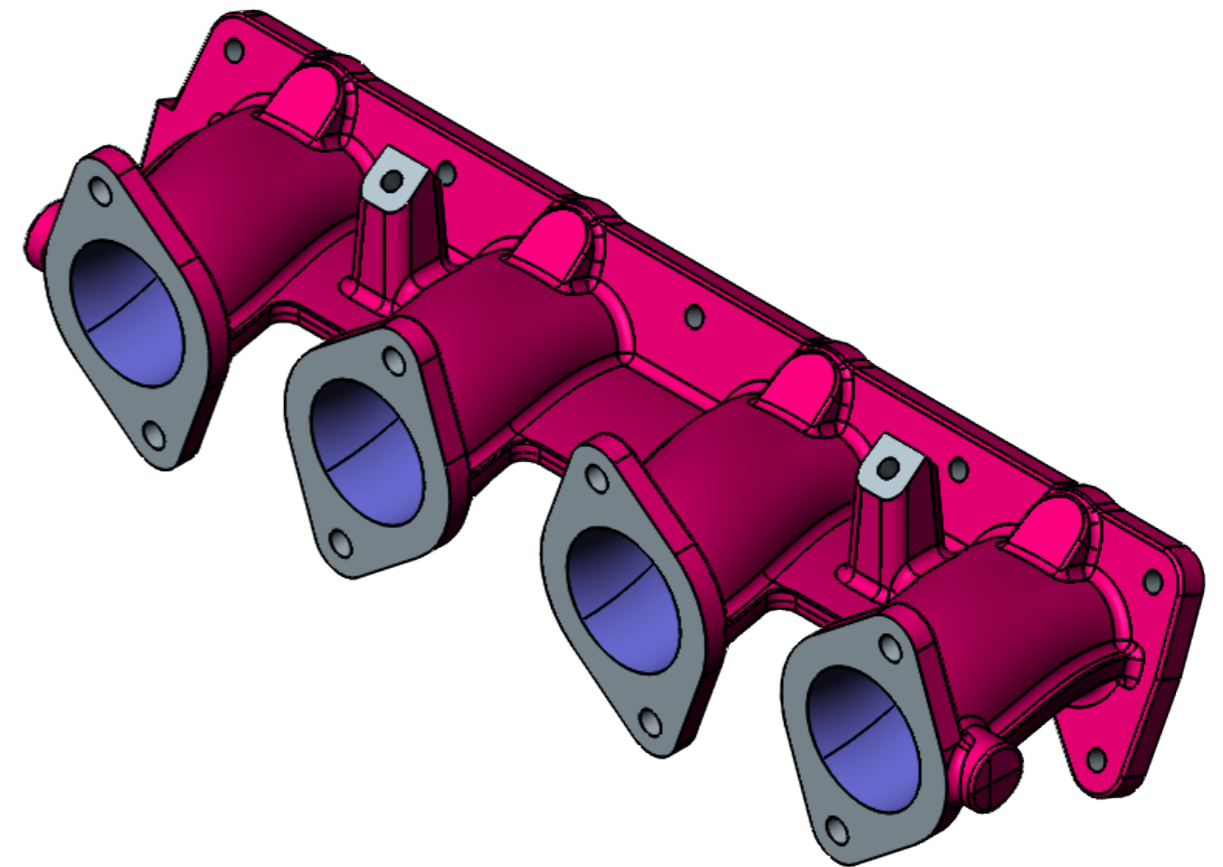
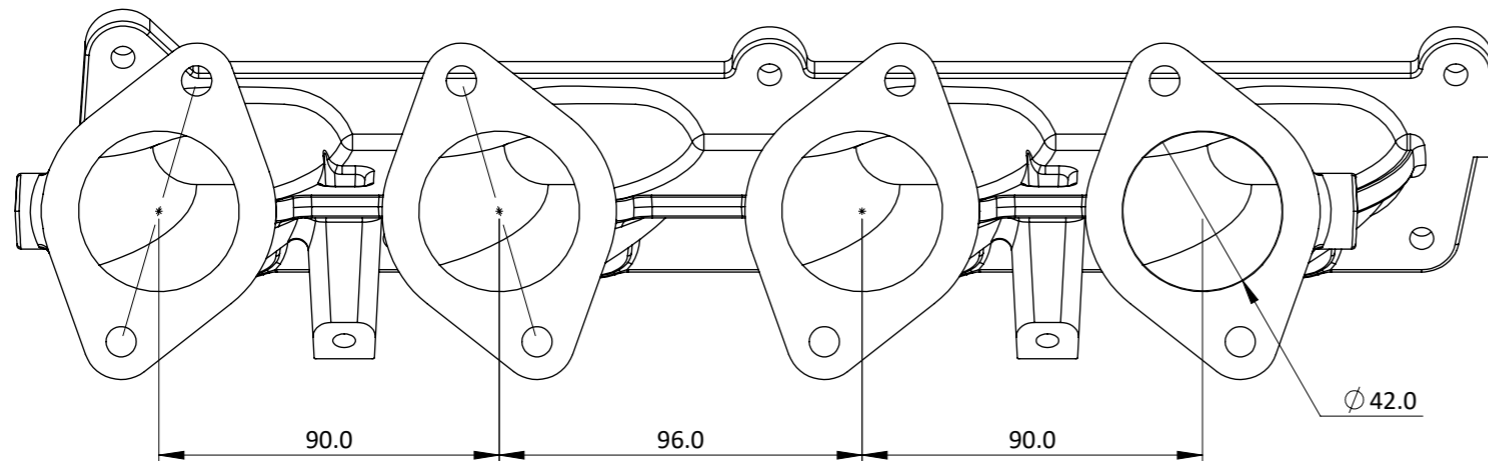
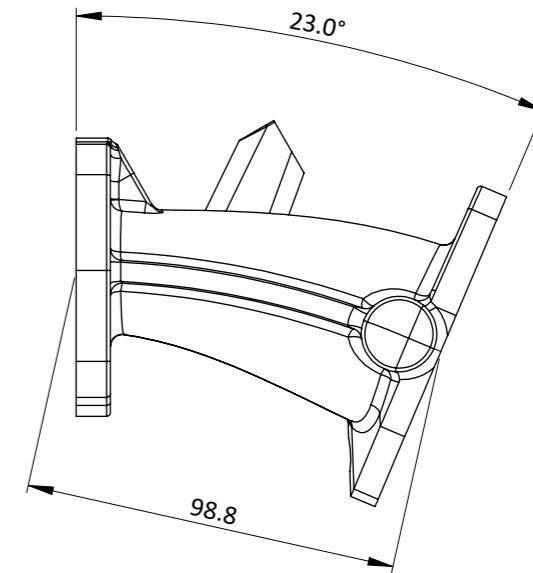
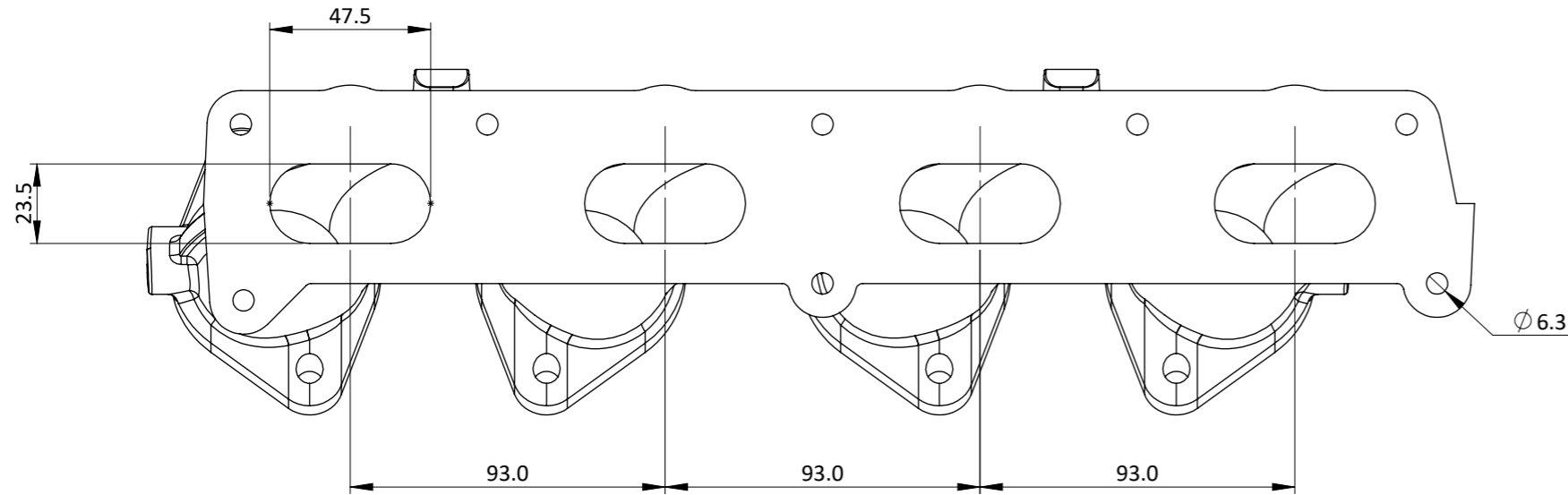


# MP05 - PEUGEOT EW10 J4 2.0 - DCOE MANIFOLD



Engineered to win



Flanges for Jenvey TB DCOE twin throttle bodies.  
May be ported out to 50mm at body flange and proportionally at head flange.  
2 bosses at ends for vacuum tappings, injector cutouts can be machined at customers request.  
Includes provision for standard fuel rail.  
No provision for the inlet manifold oil take offs.

Frame: 1 of 1

Version: 1

Tel 01746 768810

© JENVEY DYNAMICS LTD. 2021

Web WWW.JENVEY.CO.UK

