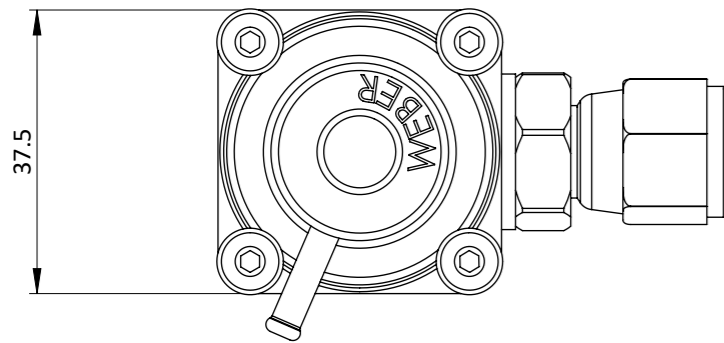


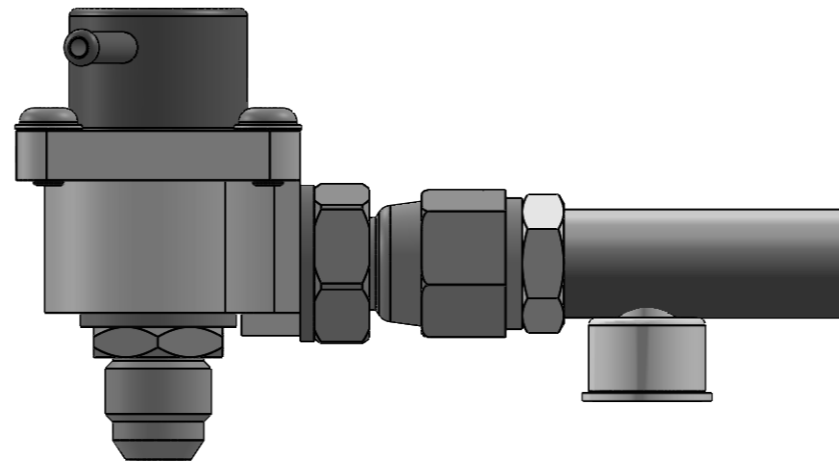
RH01 - PRESSURE REGULATOR HOUSING 9.4MM



Engineered to win

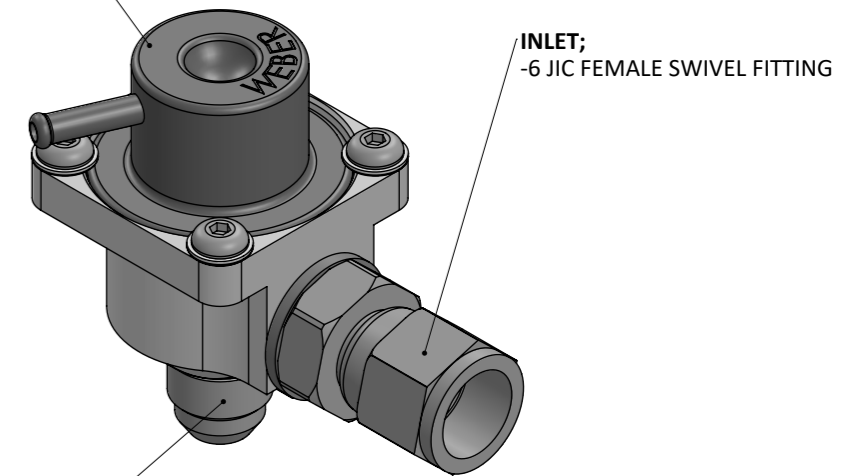


SUITS WEBER OR BOSCH (MINI A /38/5) REGULATORS

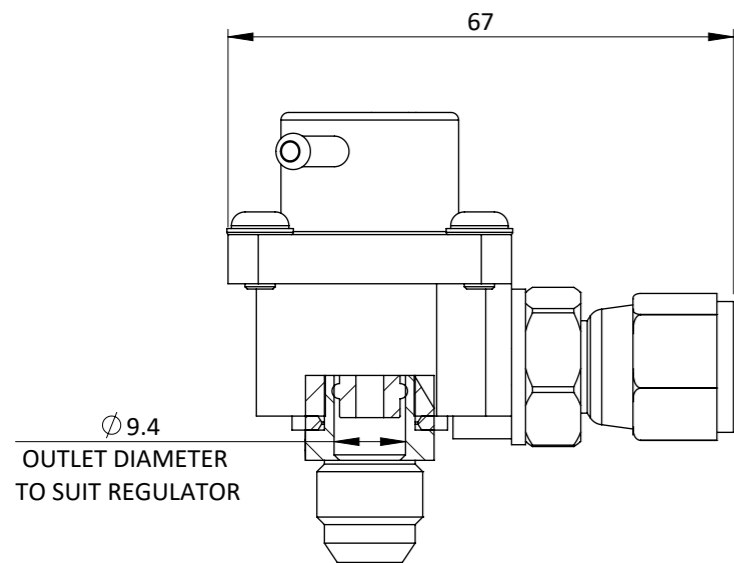


DESIGNED TO FIT ONTO THE ENDS OF JENVEY STEEL FUEL RAILS.
* NOT SUITABLE FOR ALUMINIUM RAILS, SEE RH01M INSTEAD.

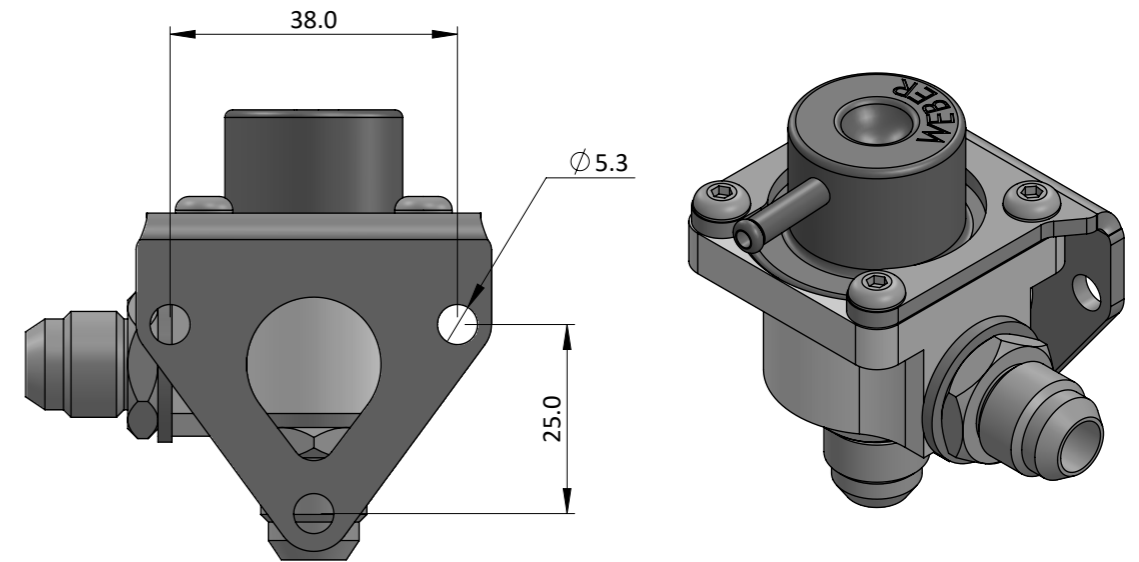
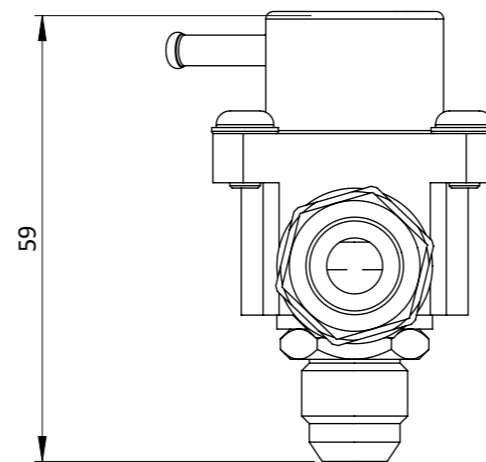
OUTLET
-6 JIC MALE FITTING



INLET;
-6 JIC FEMALE SWIVEL FITTING



Ø 9.4
OUTLET DIAMETER
TO SUIT REGULATOR



ALSO AVAILABLE - **RH01M**; REMOTE PRESSURE REGULATOR HOUSING.

INCLUDES BRACKET WHICH ALLOWS RELOCATION OF REGULATOR FROM THE END OF FUEL RAIL TO ELSEWHERE IN THE VEHICLE.
HAS -6 JIC MALE INLET & OUTLET FITTINGS.

*RECOMMENDED FOR ALUMINIUM FUEL RAILS

A BILLET ALUMINIUM FUEL PRESSURE REGULATOR HOUSING WITH -6 JIC FITTINGS.
THE 9.4mm RELATES TO THE HOLE DIAMETER REQUIRED TO SUIT THE 'O'RING ON THE REGULATOR.
COMPATIBLE WITH ALL PRESSURE REGUALTORS SOLD BY JENVEY.
* REGULATOR SHOWN SOLD SEPERATELY.

THIS REGULATOR HOUSING IS ONLY SUITABLE FOR OUR STEEL FUEL RAILS AND NOT FOR USE ON OUR BILLET ALUMINIUM RAILS. WE RECOMMEND USING RH01M REMOTE HOUSING FOR OUR BILLET FUEL RAILS.

Frame: 1 of 1

Version: 1

Tel 01746 768810

© JENVEY DYNAMICS LTD. 2015

Web WWW.JENVEY.CO.UK

