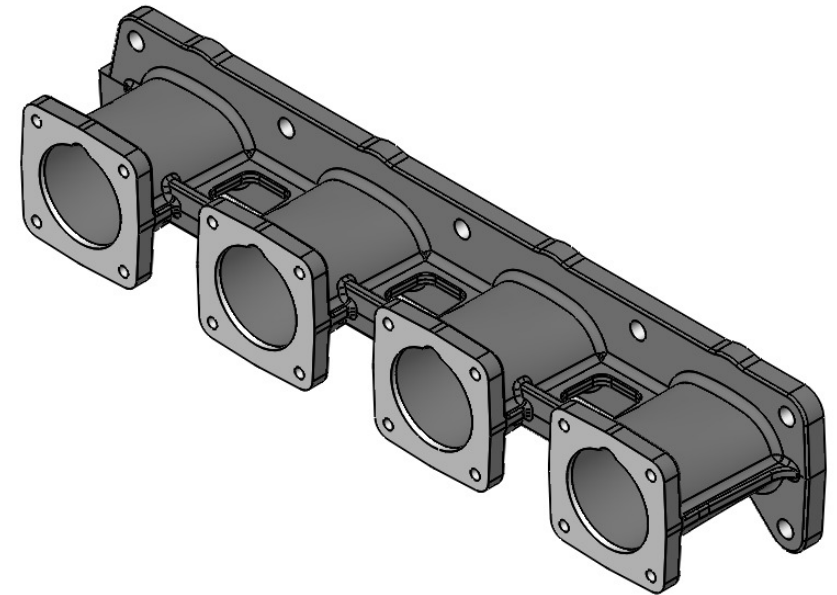
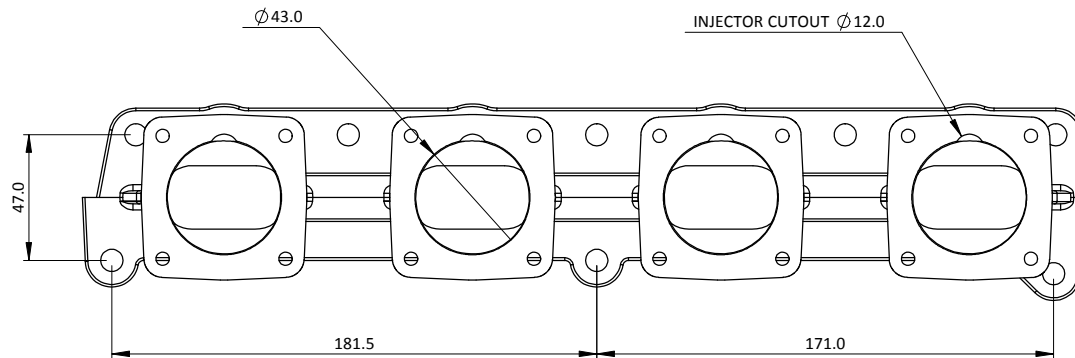
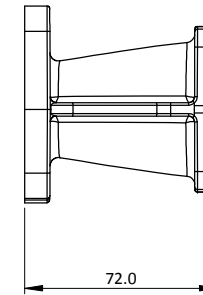
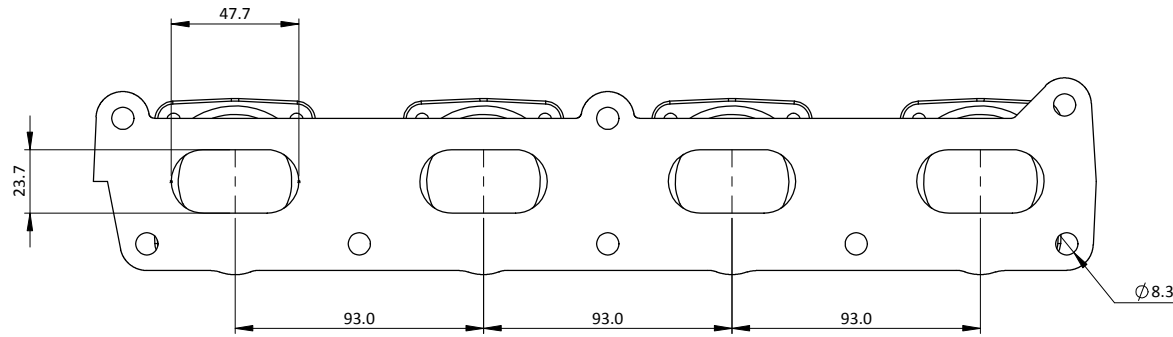


# MP04 - PEUGEOT/CITROEN 2.0 MANIFOLD



Engineered to win



MP04 - Peugeot 2L 16V 206 manifold for individual throttle bodies  
Flanges for Jenvey SF throttle bodies.  
May be ported out to 48mm at body flange and proportionally at head flange.

Frame: 1 of 1

Version: 2

Tel 01746 768810

© JENVEY DYNAMICS LTD. 2015

Web WWW.JENVEY.CO.UK

