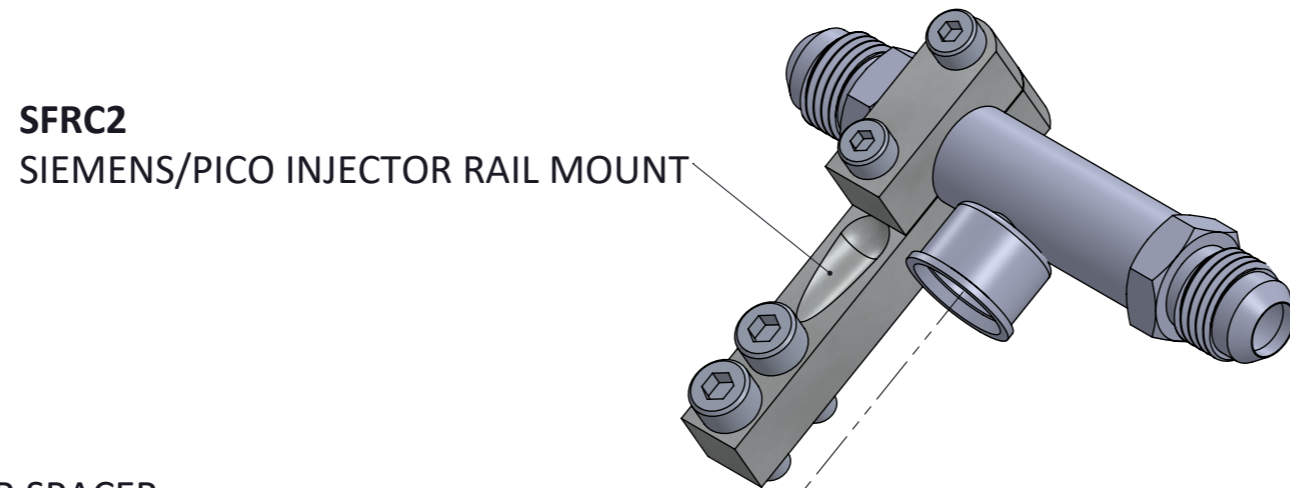


SIEMENS INJECTOR INSTRUCTIONS -



Engineered to win

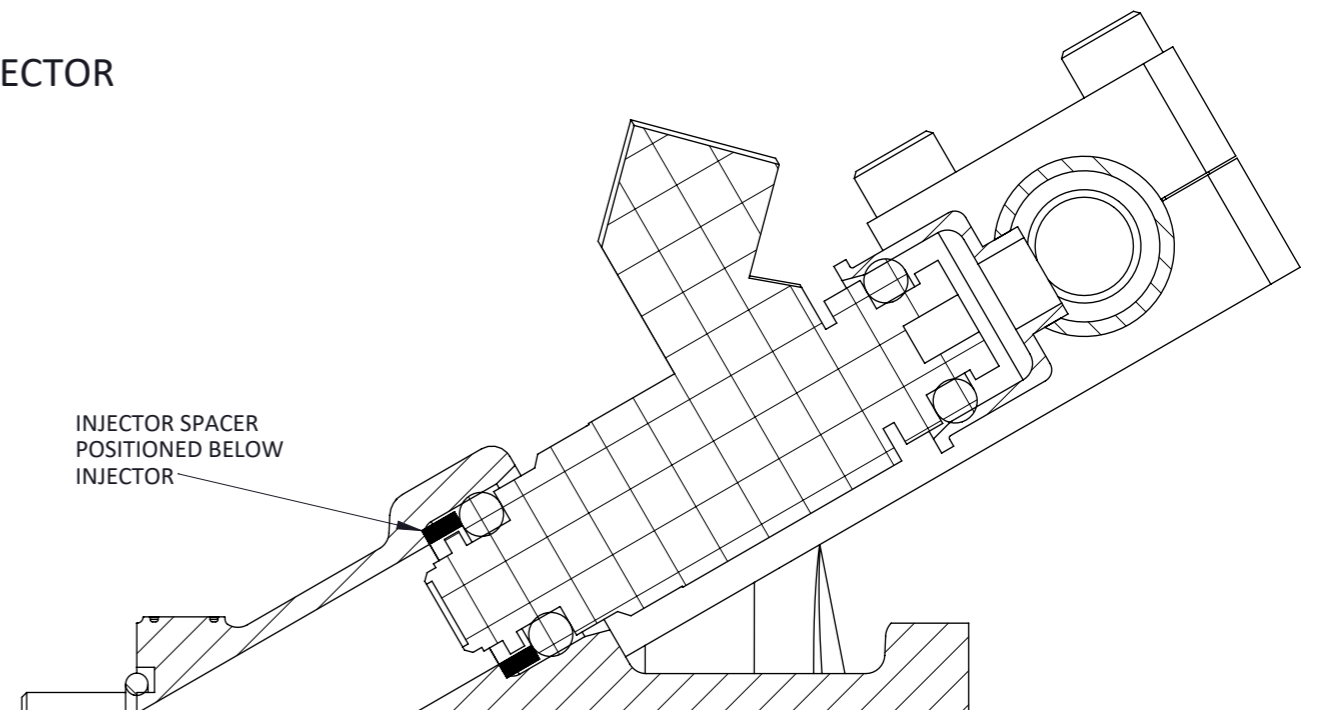
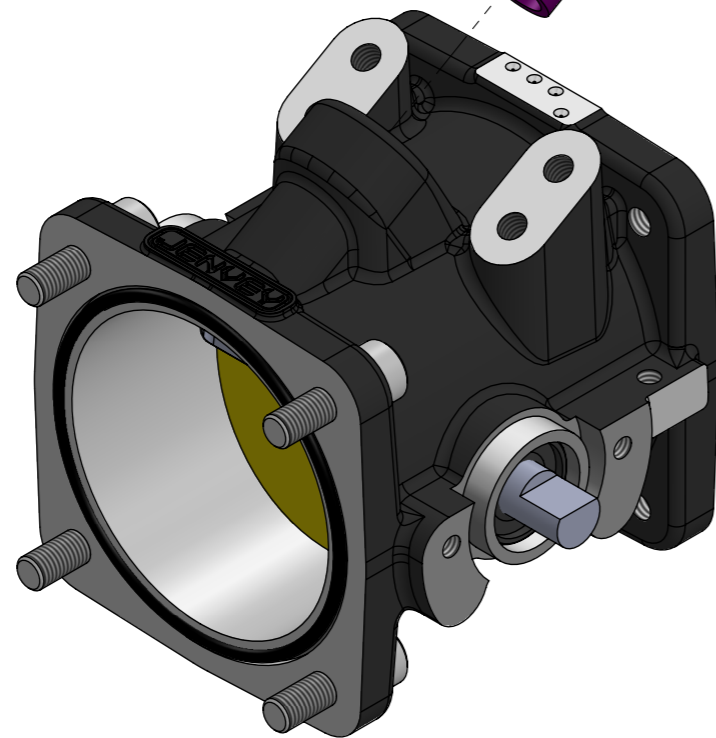


SFRC2
SIEMENS/PICO INJECTOR RAIL MOUNT

SPN14-11-3
3mm INJECTOR SPACER

*MUST BE INSERTED INTO THROTTLE BODY
BELOW INJECTOR

INSE630/INSE440
SIEMENS DEKA INJECTOR



INJECTOR SPACER
POSITIONED BELOW
INJECTOR

SECTION VIEW OF INJECTOR
IN SF BODY

Frame: 1 of 1

Version: 1

Tel 01746 768810

© JENVEY DYNAMICS LTD. 2021

Web WWW.JENVEY.CO.UK

