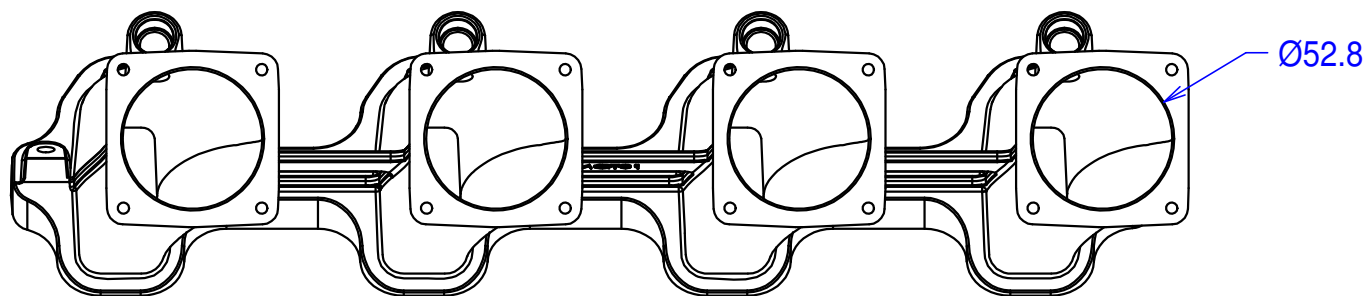
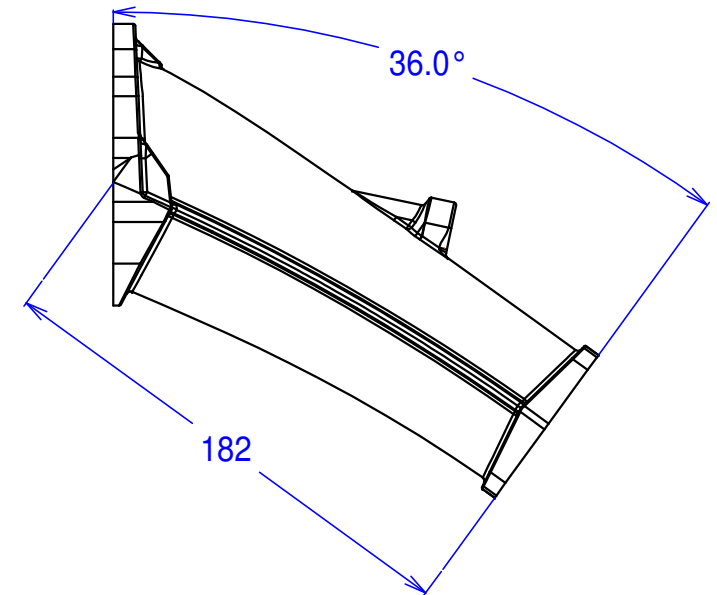
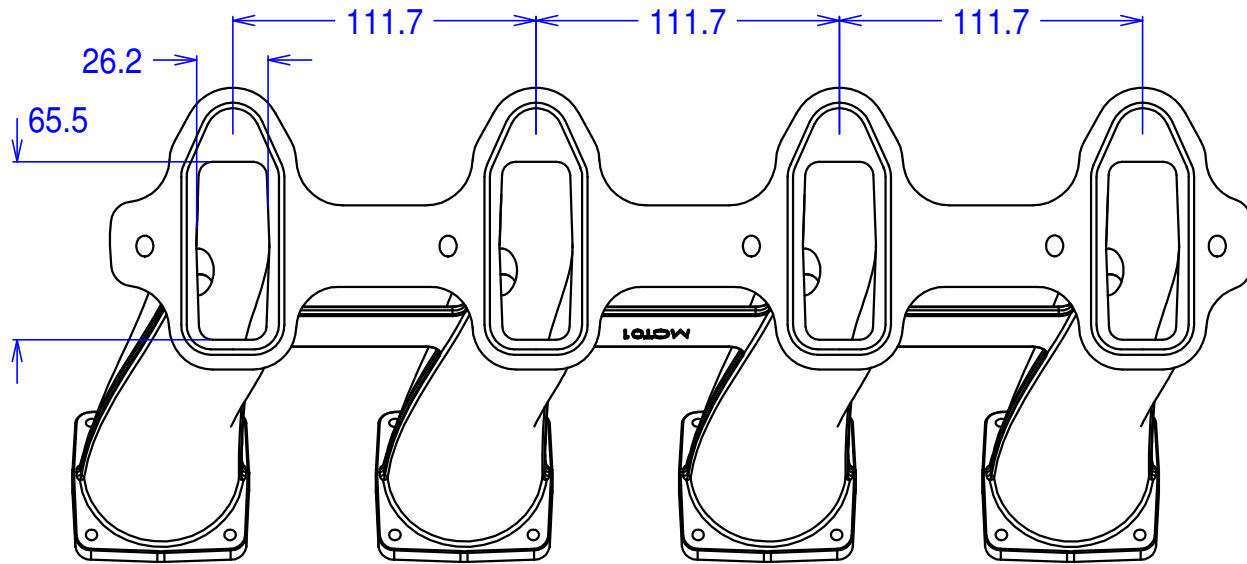


**MCT01 - Chevrolet LS 1,2 & 6 manifolds for individual throttle bodies**

Flanges for Jenvey SFD throttle bodies. Sufficient metal to allow for port machining, including 'Cathedral' shape.

'O' ring seal to cylinder head.

Supplied as a cross-over pair, making for high flow rates and good mixture distribution.

Includes injector pockets and extra undrilled bosses on top-side for idle air / vacuum take off / etc.

Dimensions in mm