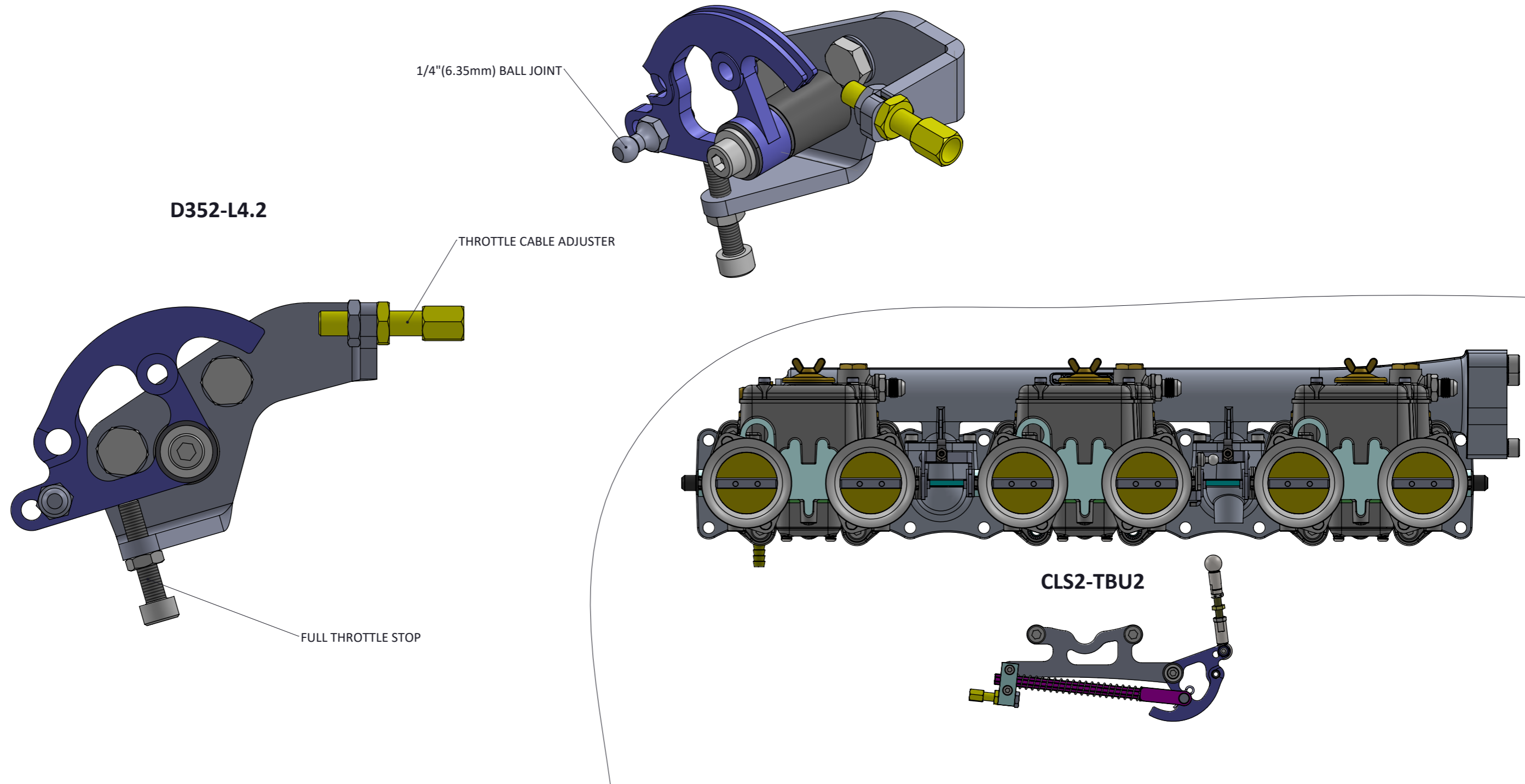


CLJ-4.2RH - JAGUAR XK6 4.2 RH LINKAGE



Engineered to win



CLJ-4.2RH - ACCELERATOR LINKAGE KIT TO SUIT THE RH DRIVE JAGUAR E-TYPE SERIES 1-2, WITH 4.2 ENGINES, INCLUDES THE FOLLOWING PARTS:

D352-L4.2 - A DIRECT REPLACEMENT FOR THE OEM MECHANICAL LINKAGE BRACKET WHICH MOUNTS TO THE BULKHEAD OF THE E-TYPE & LINKS TO THE STANDARD LINKAGE ROD FROM THE PEDAL.

CLS2-TBU2 - LINKAGE WHICH MOUNTS TO THE UNDERSIDE OF DCOE THROTTLE BODIES, INCLUDES THE THROTTLE CABLE WHICH LINKS THE TWO ASSEMBLIES CONVERTING THE OEM MECHANICAL LINKAGE TO CABLE.

Frame: 1 of 1

Version: 1

Tel 01746 768810

© JENVEY DYNAMICS LTD. 2015

Web WWW.JENVEY.CO.UK

