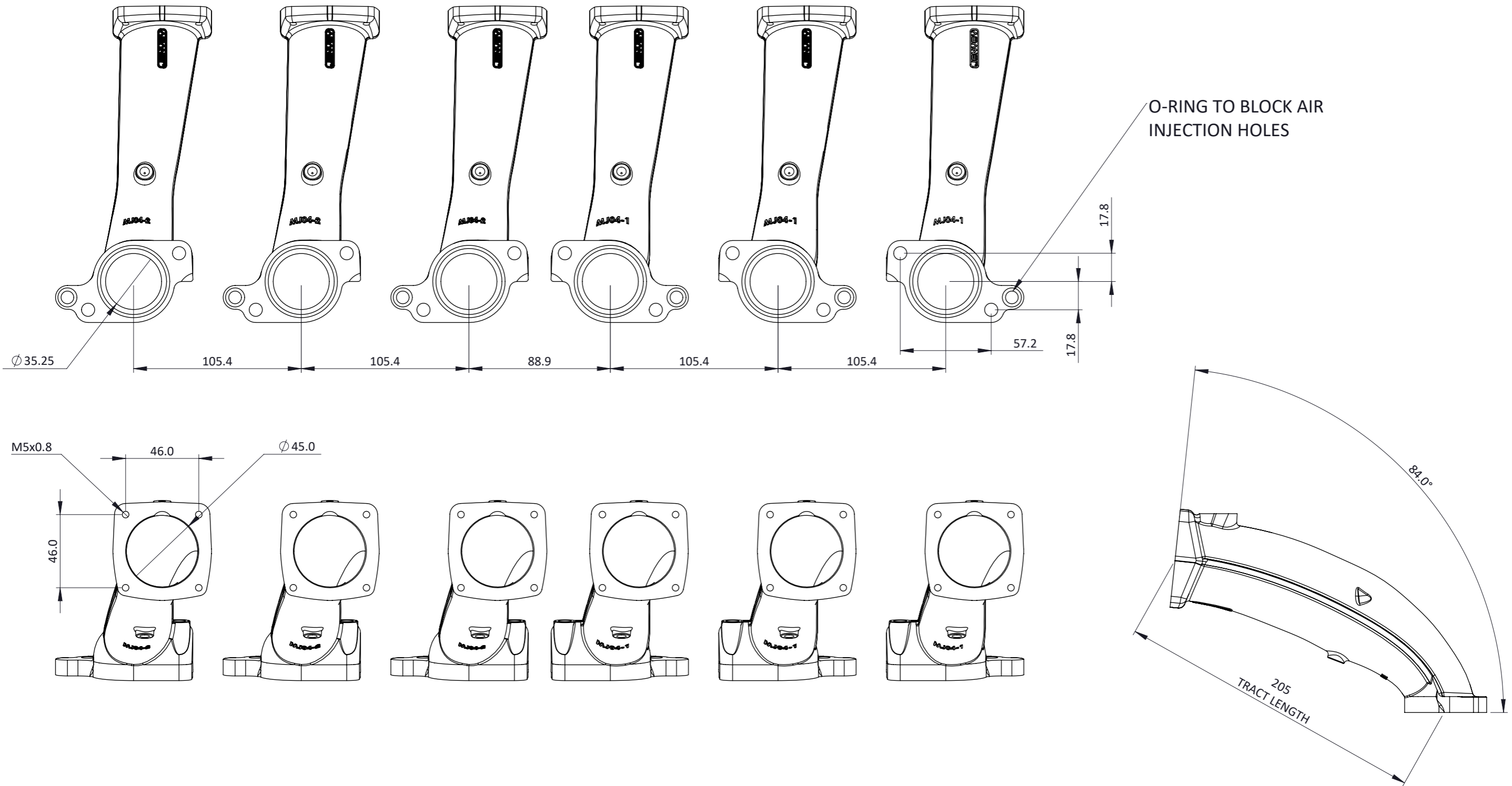


MJ04 - JAGUAR V12 MANIFOLD



Engineered to win



FLANGES FOR JENVEY SINGLE (SF, SFS) THROTTLE BODIES.

MAY BE PORTED UP TO 48MM WITH SUFFICIENT MATERIAL TO ALLOW FOR MATCHING TO PORTED CYLINDER HEADS.

UNDRILLED BOSSES ON THE UNDERSIDE OF THE MANIFOLD FOR IDLE AIR/ VACUUM TAKE-OFF ETC.

OUTLET FLANGES INCLUDE O-RING SEALS FOR THE INTAKE PORT AND TO BLOCK THE CYLINDER HEAD AIR INJECTION HOLES.

Frame: 1 of 1	
Version: 3	
Tel 01746 768810	© JENVEY DYNAMICS LTD. 2015
Web WWW.JENVEY.CO.UK	