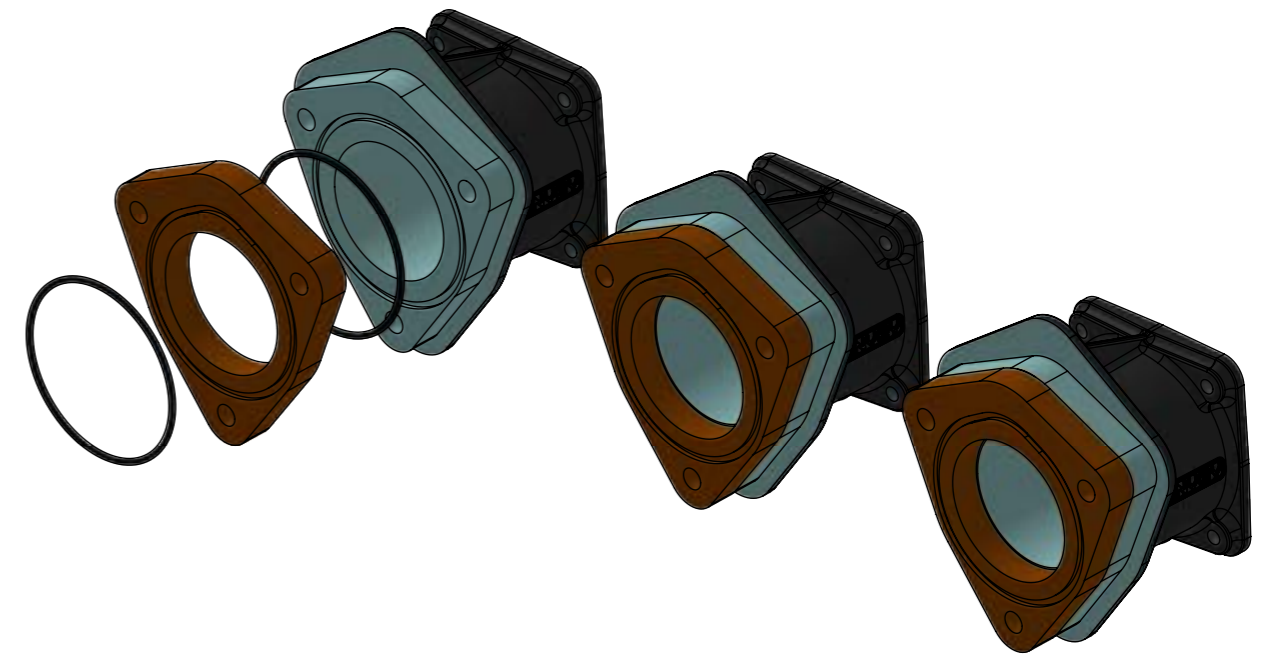
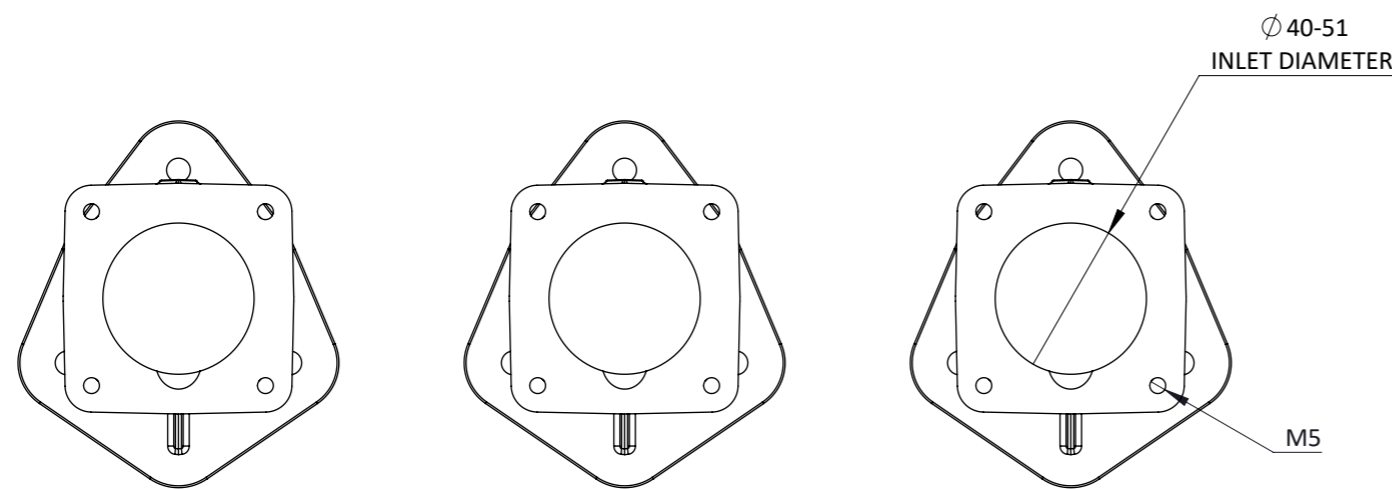
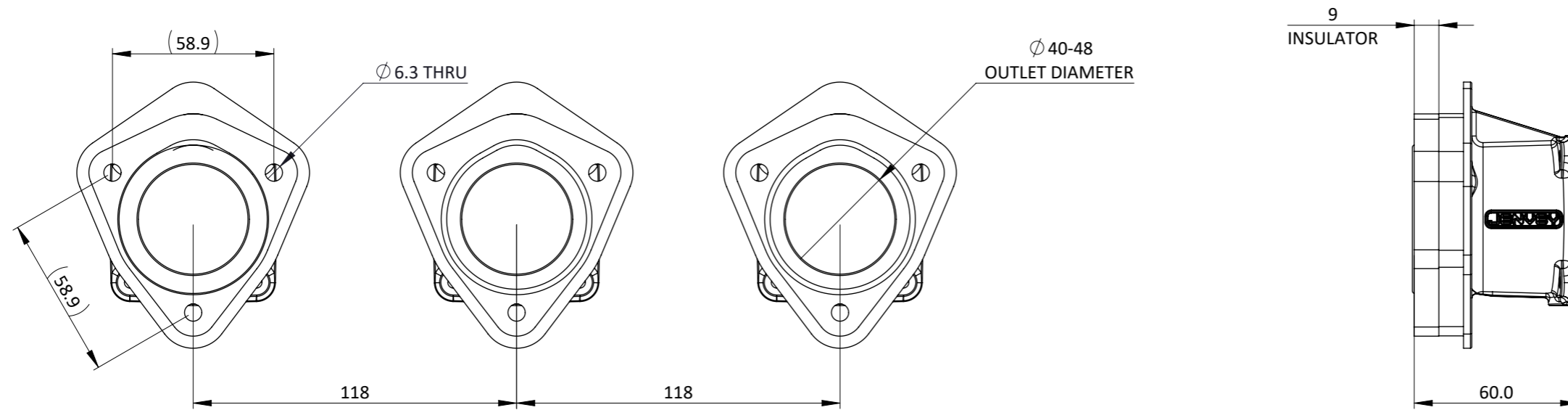


PCF02-WEB - PORSCHE 3 BOLT AIR COOLED MANIFOLDS



Engineered to win



PCF02

SET OF 6 CAST ALUMINIUM MANIFOLD WITH PHENOLIC GLASS INSULATING SPACERS
UNDRILLED BOSS ON UNDERSIDE FOR VACUUM FITTING.

MANIFOLD INLET/OUTLET DIAMETER MACHINED TO ORDER:

INLET MIN/MAX DIAMETER = 40/51mm

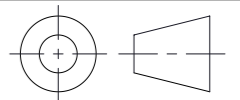
OUTLET MIN/MAX DIAMETER = 40/48mm

Frame: 1 of 1

Version: 1

Tel: 01746 768810

Web: WWW.JENVEY.CO.UK



© JENVEY DYNAMICS LTD. 2024
All rights reserved.